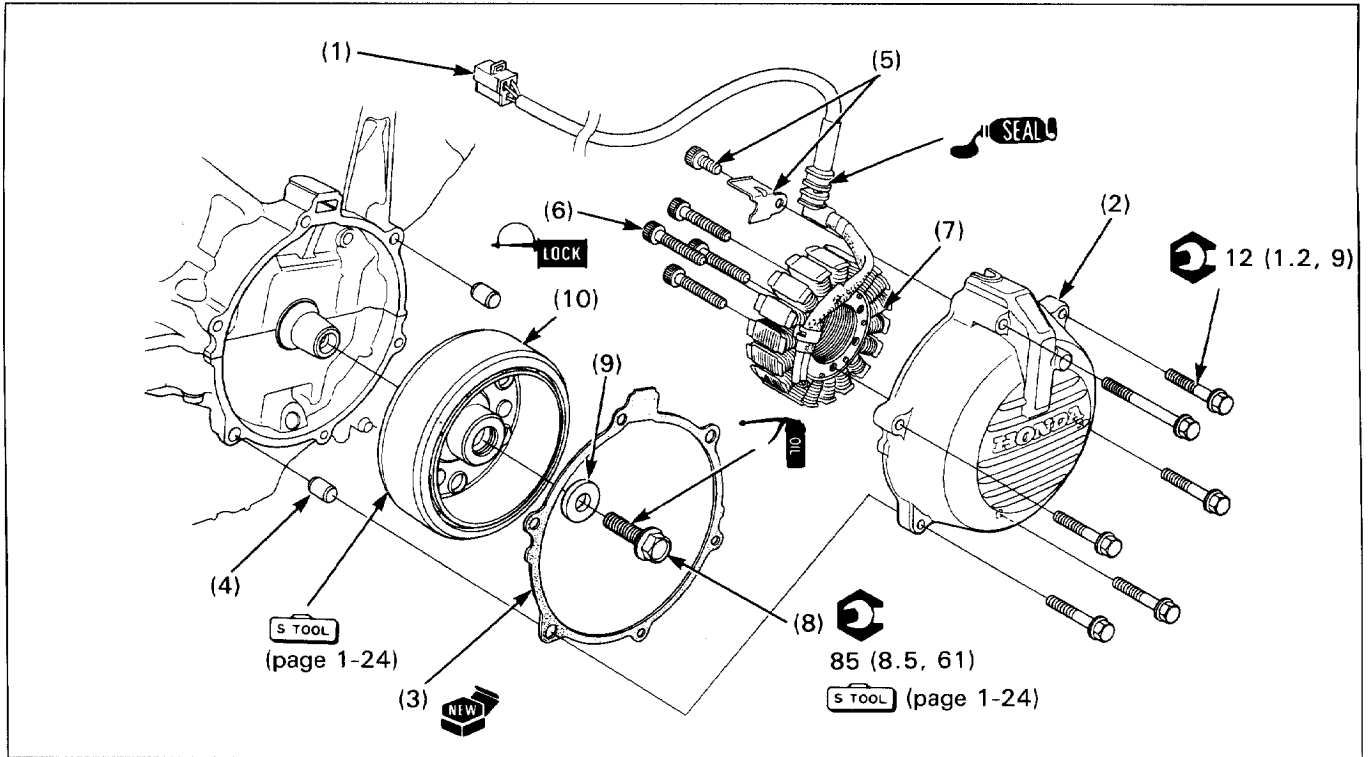


Alternator Removal/Installation



Requisite Service

- Middle fairing removal/installation (page 2-4).
- Lower fairing removal/installation (page 2-7).

Procedure		Q'ty	Remarks
Removal Order			• Installation is in the reverse order of removal. Disconnect the connector.
(1)	Alternator wire	1	
(2)	Alternator cover	1	
(3)	Gasket	1	
(4)	Dowel pin	2	
(5)	Alternator wire bolt/clamp	1	After installation, make sure that wire is not pinched by the flywheel.
(6)	Stator mounting bolt	4	Apply a locking agent to the threads.
(7)	Stator	1	
(8)	Flywheel bolt	1	NOTE Before installing, clean the engine oil completely off the contact surfaces of the crankshaft and flywheel.
(9)	Washer	1	
(10)	Flywheel	1	