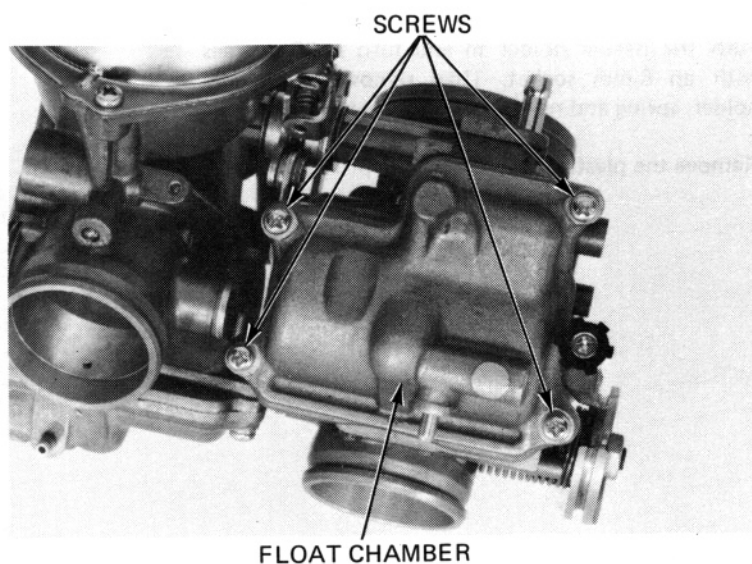


## FUEL SYSTEM

### FLOAT CHAMBER

#### REMOVAL

Remove the four float chamber screws and the float chamber.

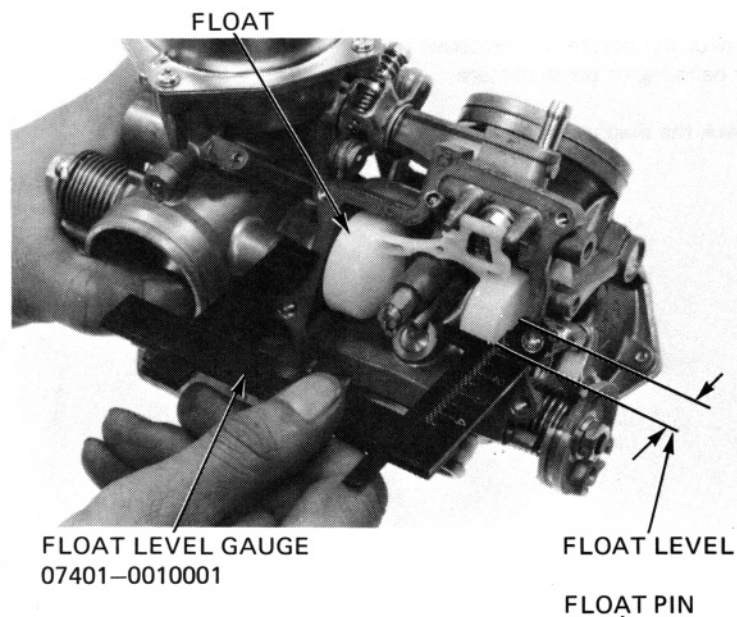


#### FLOAT LEVEL

Measure the float level with the carburetor inclined  $15^{\circ}$ – $45^{\circ}$  from vertical and the float tang just contacting the float valve.

**SPECIFICATIONS: 7.5 mm (0.30 in)**

Adjust the float level by carefully bending the float tang.



#### FLOAT AND JETS

Remove the float pin, float and float valve.

