

FUEL SYSTEM

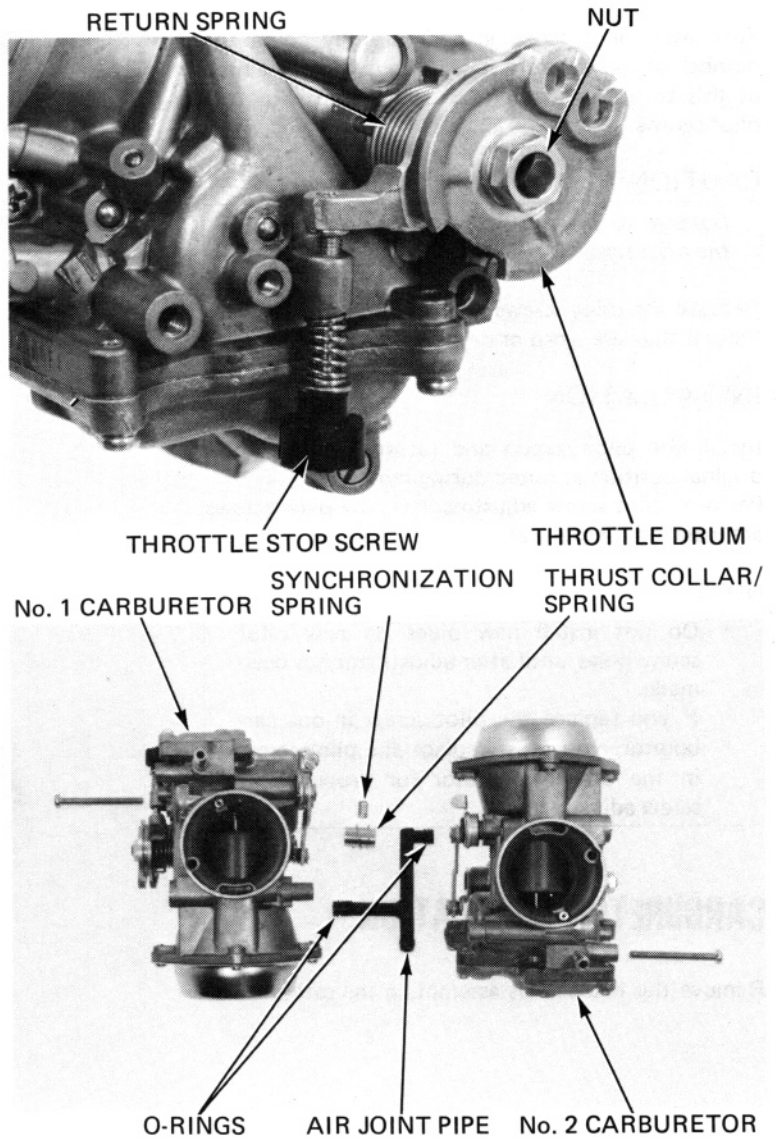
Loosen the throttle stop screw.

Remove the nut attaching the throttle drum and remove the throttle drum and return spring.

CARBURETOR ASSEMBLY

Install the throttle return spring, throttle drum and nut.

Tighten the nut securely.



Coat new O-rings with oil and install them on the air joint pipe.

Put the No. 1 and No. 2 carburetors together with the air joint pipe, thrust collar and spring.

Loosen the synchronization adjusting screw until there is no tension.

Install the synchronization spring.

Secure the carburetors together with the two attaching screws.

