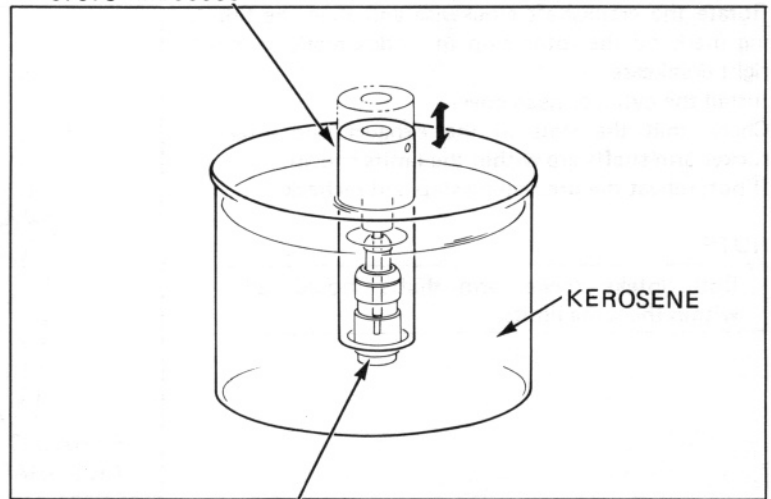


CYLINDER HEAD COVER INSTALLATION

Place the tappet in a jar filled with kerosene.
Place the tappet bleeder into the tappet.
Hold the tappet upright and pump the tappet until air bubbles stop coming out. Remove the tool, and try to quickly compress the tappet by hand. You should not be able to compress it more than 0.2 mm (0.008 in).
Remove the tappet from the fluid keeping it upright.

HYDRAULIC TAPPET BLEEDER
07973-ME90000



Install the shims into each hydraulic tappet hole of the cylinder head.
Install the hydraulic tappets into the cylinder head.

CAUTION:

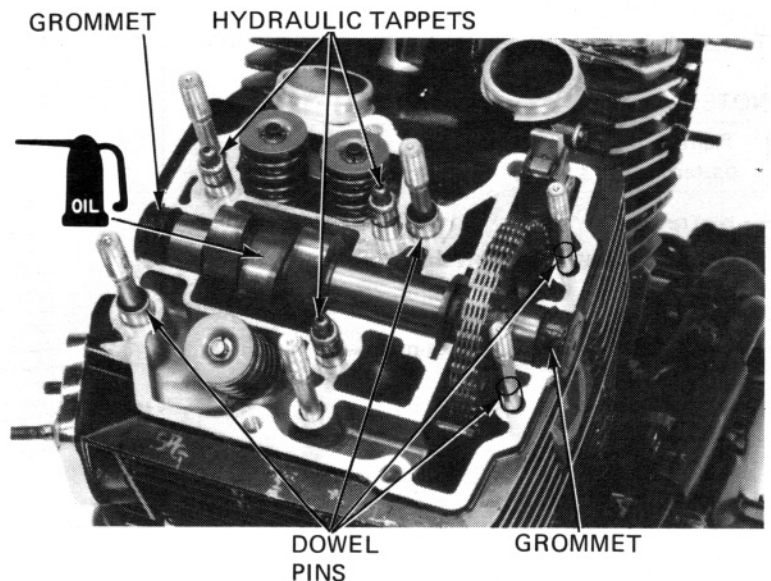
Do not tilt the hydraulic tappets, keep them as upright as possible.

Install the dowel pins and grommets.

NOTE:

Apply a liquid sealant to the oil seals where they contact the cylinder head.

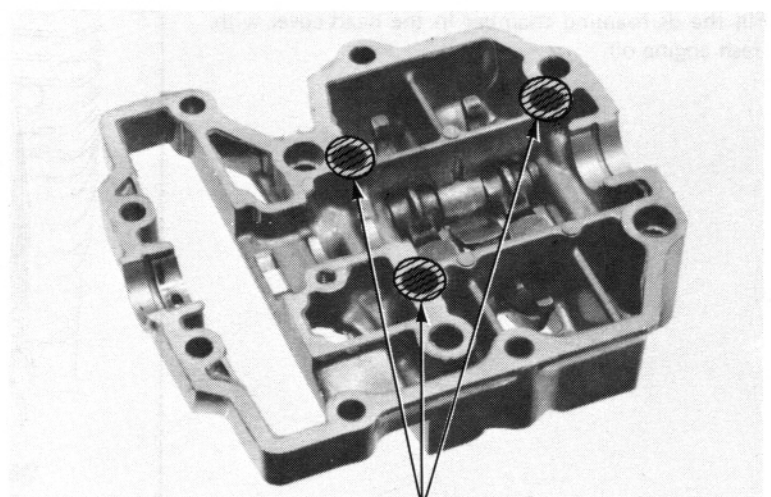
Pour fresh oil into the oil pockets in the cylinder head until the cams are submerged.



Apply a liquid sealant to the mating surfaces of the cylinder head cover.

NOTE:

Do not apply liquid sealant to the shadowed area. Failure to do so could cause a faulty hydraulic tappet.



DO NOT APPLY SEALANT
TO THESE AREAS