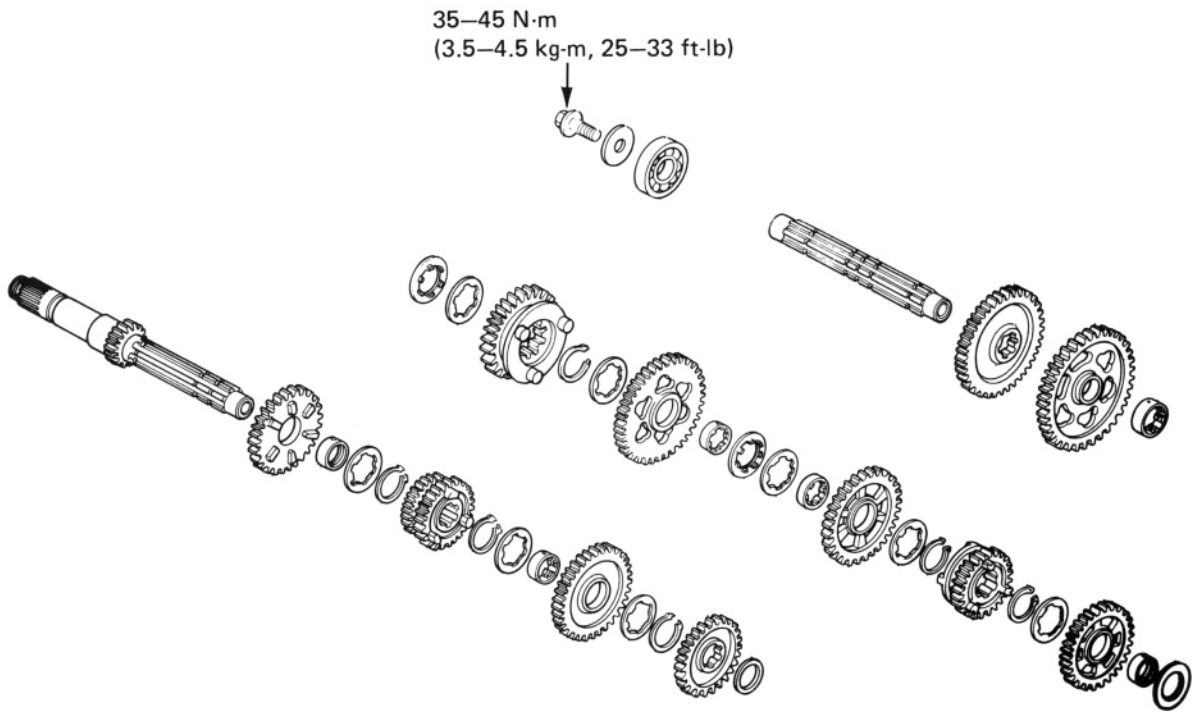
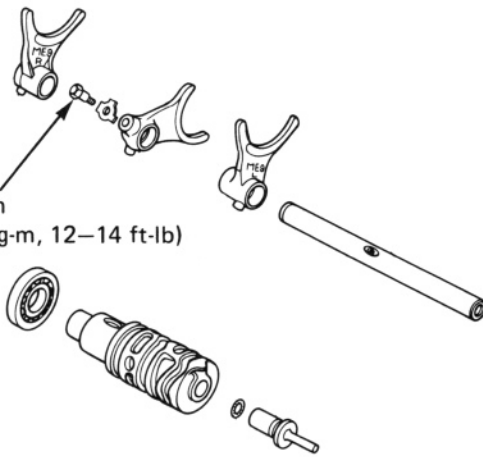


CRANKSHAFT/TRANSMISSION

35–45 N·m
(3.5–4.5 kg-m, 25–33 ft-lb)



16–20 N·m
(1.6–2.0 kg-m, 12–14 ft-lb)



41–45 N·m
(4.1–4.5 kg-m, 30–33 ft-lb)

