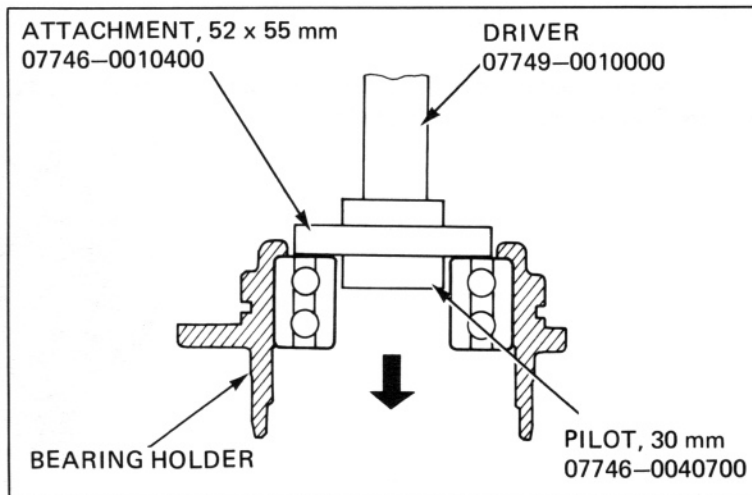
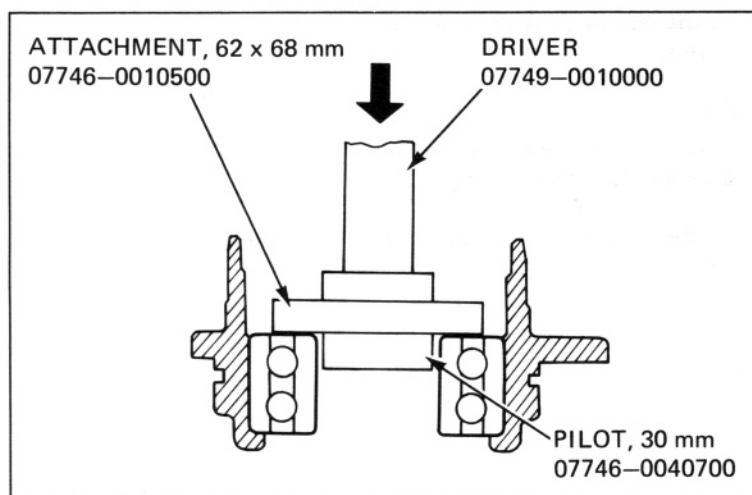


CRANKSHAFT/TRANSMISSION

Place the bearing holder in a press and remove the bearing.



Press in a new bearing.



Place the bearing holder in a vise with soft jaws and install and tighten a new outer race lock nut to the specified torque value.

TORQUE: 90–110 N·m
(9.0–11.0 kg·m, 65–80 ft·lb)

Torque wrench scale reading:
80–100 N·m (8.0–10.0 kg·m, 58–72 ft·lb)

Then stake the new nut.

