

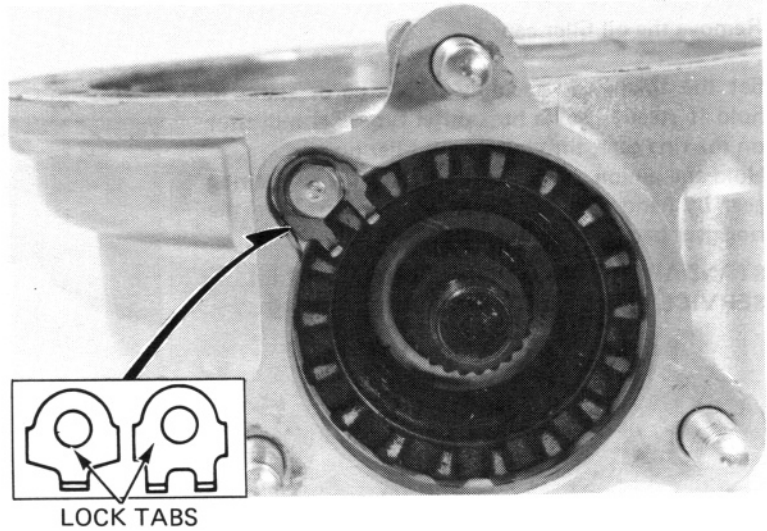
## DRIVE TRAIN

### PINION JOINT INSTALLATION

Install the appropriate pinion retainer lock tab.

**NOTE:**

There are two types of lock tabs as shown.



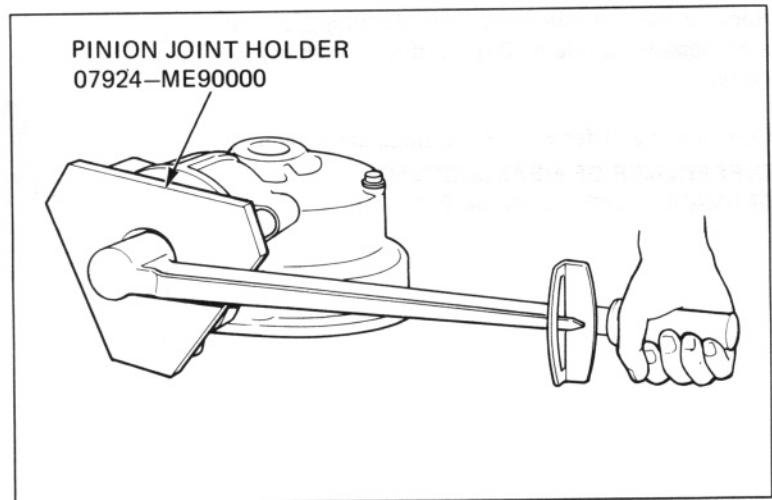
Apply gear oil to the oil seal lip contact surface of the pinion joint and install the pinion joint.

Install the pinion joint holder tool and tighten the pinion nut.

**TORQUE:**

100–120 N·m (10–12 kg·m, 72–87 ft·lb)

Remove the pinion joint holder tool.



Make sure that the gear assembly rotates smoothly without binding by turning the pinion joint.

