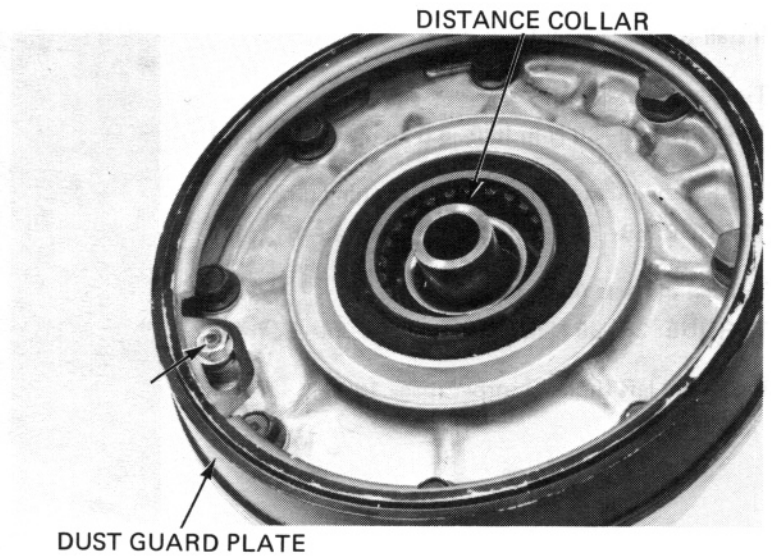


Install the dust guard plate and torque the bolt.
Install the distance collar.



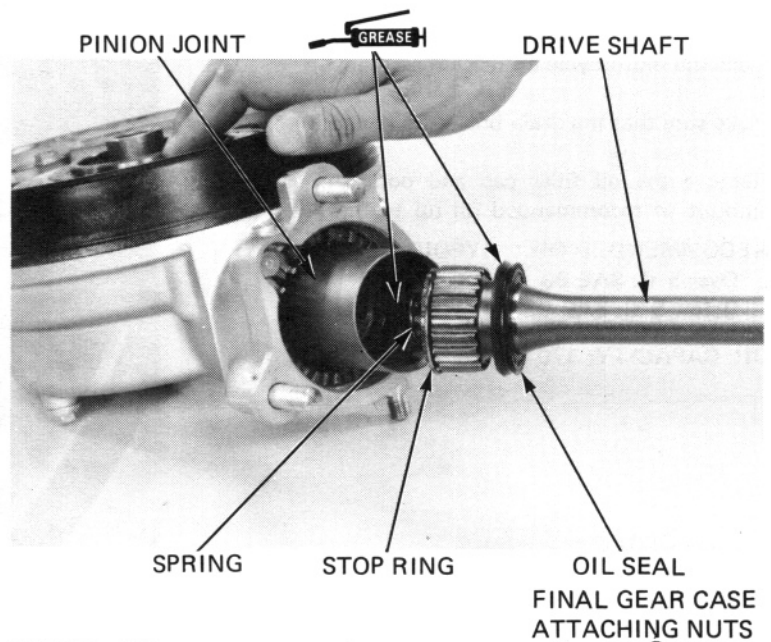
FINAL DRIVE INSTALLATION

Apply grease to the pinion joint splines and drive shaft oil seal.

Insert the drive shaft into the pinion joint until the stop ring seats in the pinion joint spline grooves.

NOTE:

- Make sure that the stop ring is seated properly by pulling on the drive shaft lightly.
- Be careful not to damage the drive shaft oil seal.



Insert the drive shaft assembly into the swingarm and align its splines with the universal joint.

Attach the gear case onto the swingarm loosely.

NOTE:

- To ease axle installation, do not tighten the gear case nuts until after the axle is installed.

