

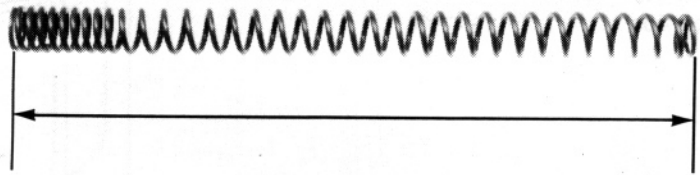
INSPECTION

FORK SPRING FREE LENGTH

Measure the fork spring free length.

SERVICE LIMIT: 465.6 mm (18.3 in)

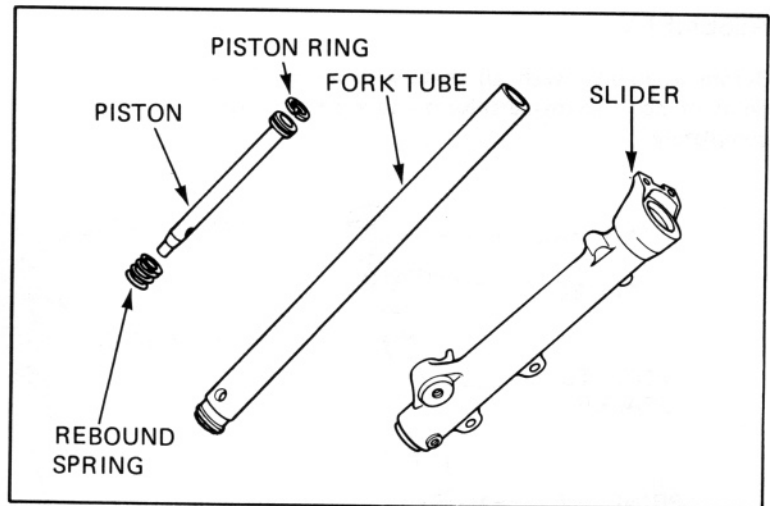
Replace the spring if it is shorter than the service limit.



FORK TUBE/FORK SLIDER/PISTON

Check the fork tube, fork slider and piston for score marks, scratches, or excessive or abnormal wear. Replace any components which are worn or damaged.

Check the fork piston ring for wear or damage.
Check the rebound spring for fatigue or damage.



FORK TUBE

Set the fork tube in V blocks and read the runout. Use 1/2 the total indicator reading to determine the actual runout.

SERVICE LIMIT: 0.20 mm (0.008 in)

