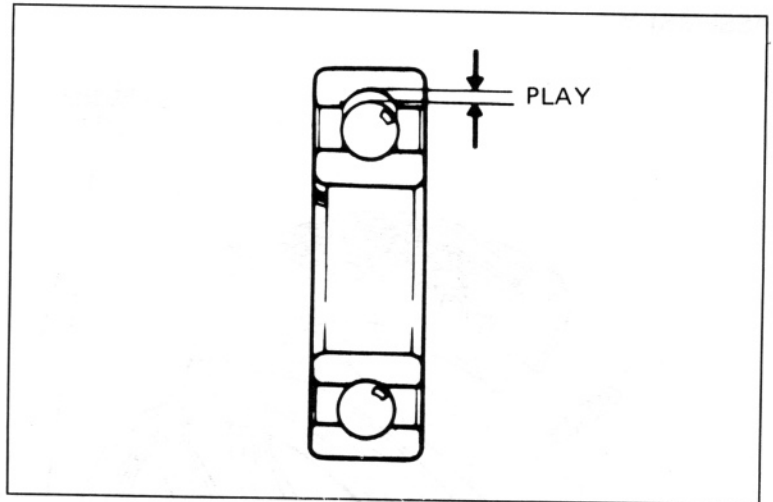


WHEEL BEARINGS

Place the wheel in a truing stand and check the wheel bearing play by rotating the wheel by hand. Replace the bearings with new ones if they are noisy or have excessive play.

SERVICE LIMIT: 0.03 mm (0.001 in)



WHEEL RIM RUNOUT

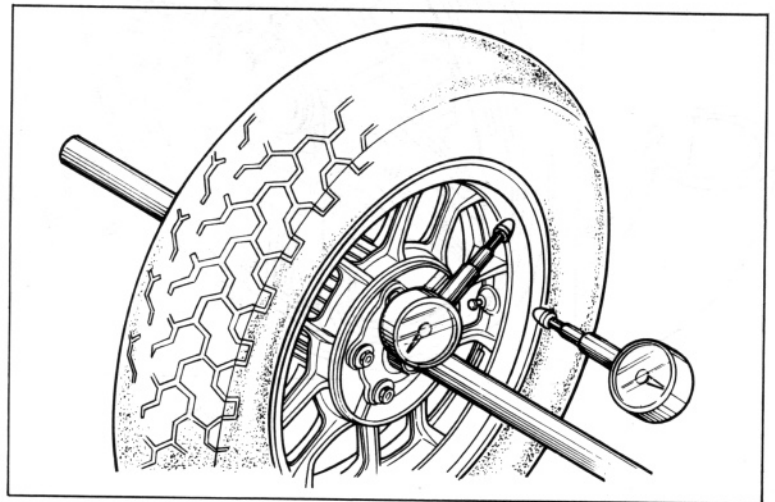
Check the rim for runout by placing the wheel in a truing stand. Spin the wheel slowly, and read the runout using a dial indicator.

SERVICE LIMITS:

RADIAL RUNOUT: 2.0 mm (0.08 in)

AXIAL RUNOUT: 2.0 mm (0.08 in)

The wheel cannot be serviced and must be replaced if the above limits are exceeded.



BRAKE DRUM I.D.

Measure the brake drum I.D.

SERVICE LIMIT: 161 mm (6.34 in)

