

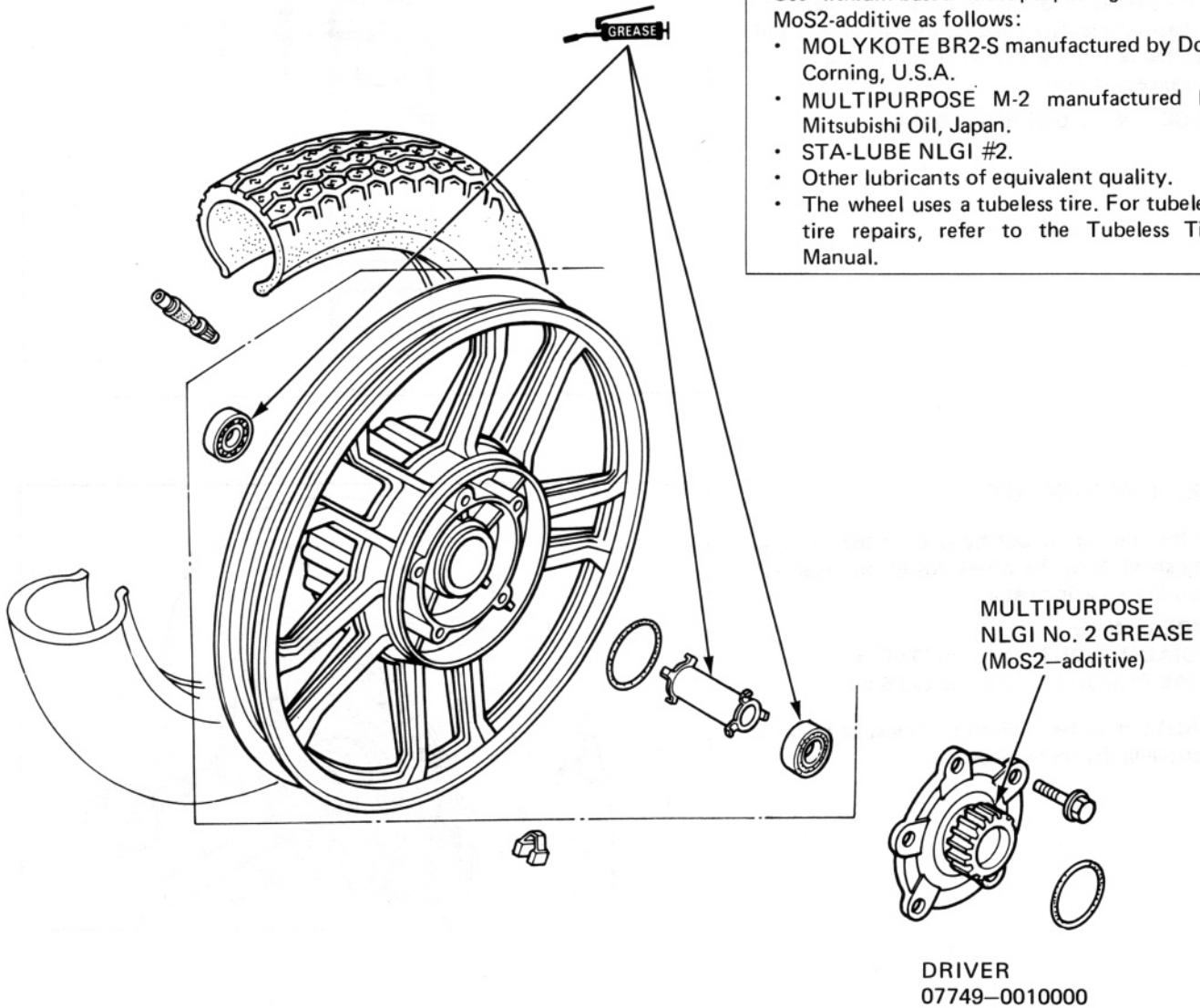
REAR WHEEL/SUSPENSION/BRAKE

ASSEMBLY

NOTE:

Use lithium-based Multipurpose grease with MoS2-additive as follows:

- MOLYKOTE BR2-S manufactured by Dow Corning, U.S.A.
- MULTIPURPOSE M-2 manufactured by Mitsubishi Oil, Japan.
- STA-LUBE NLGI #2.
- Other lubricants of equivalent quality.
- The wheel uses a tubeless tire. For tubeless tire repairs, refer to the Tubeless Tire Manual.



Pack all bearing cavities with grease.

Press the distance collar into place from the left side. Drive the right ball bearing in first, then the left ball bearing.

CAUTION:

- Drive the bearings in squarely.
- Install the bearings with the sealed end facing out, making sure they are fully seated.



ATTACHMENT, 42 x 47 mm 07746-0010300
PILOT, 17 mm 07746-0040400