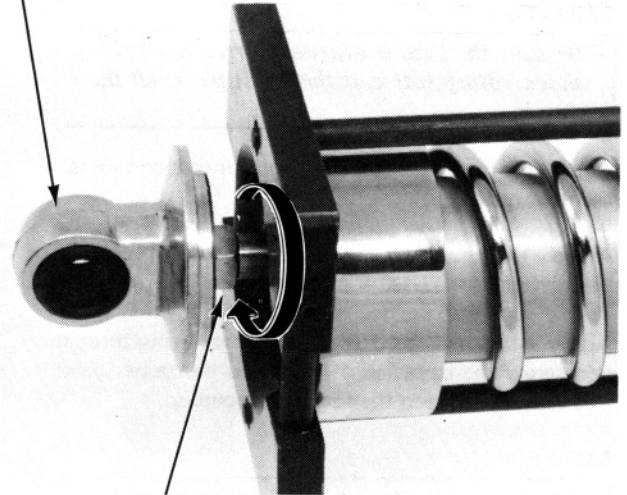


place the upper joint in a vise and pull the shock rod out.

Separate the upper joint rotating the lock nut in the direction shown and remove the compressor.

UPPER JOINT

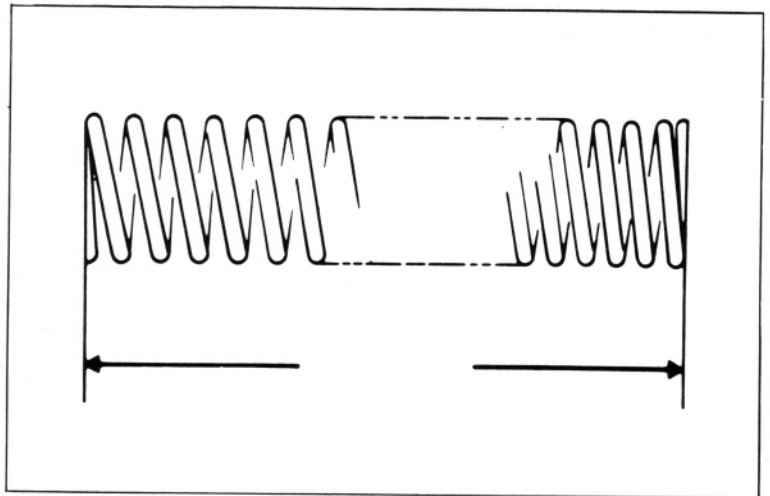


LOCK NUT

### SPRING FREE LENGTH

Measure the rear shock absorber spring free length.

**SERVICE LIMIT: 211 mm (8.3 in)**



### ASSEMBLY

Place the spring adjuster, the spring lower seat, spring upper seat and stopper rubber on the damper.

