

REAR WHEEL/SUSPENSION/BRAKE

PIVOT BEARING REPLACEMENT

Punch or drill a 13 mm (1/2 in) hole into each grease retainer.

Remove the attachment from the special tool, 07936-3710500. Slide the shaft through the hole and install a 29 mm (O.D.) washer or equivalent attachment onto the shaft.

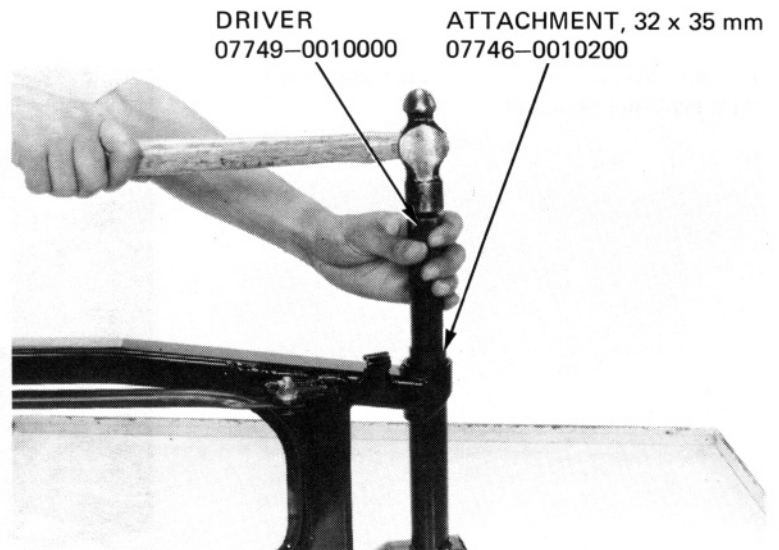
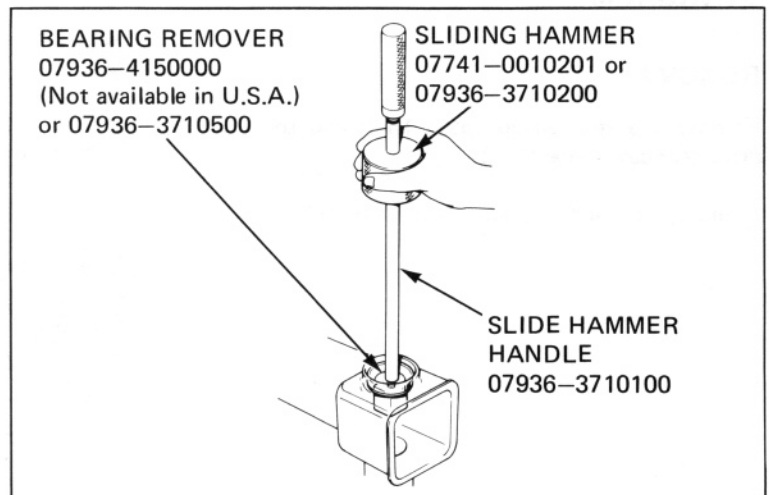
Install the slide hammer and handle remove the race.

Repeat for the other side.

NOTE:

Replace the bearing inner and outer races as a set. Replace the grease retainer plate whenever it is removed.

Install new grease retainer plates and drive new bearing outer races into the swingarm pivot.



INSTALLATION

Apply grease to the pivot bearings dust seals and pivot bolt tips.

Install the bearings and dust seals.

Install the swingarm boot with its "UP" mark up.

