

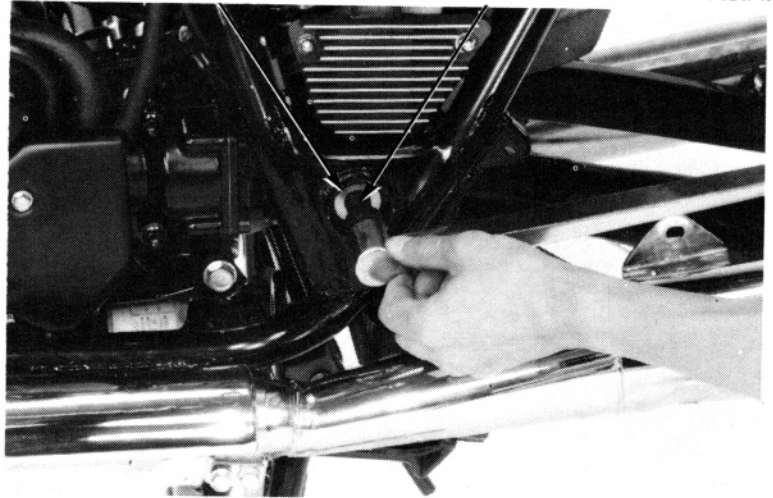
REAR WHEEL/SUSPENSION/BRAKE

Install the swingarm and pivot bolts.

Tighten the left pivot bolt to the specified torque.

TORQUE: 100–130 N·m
(10.0–13.0 kg·m, 72–94 ft·lb)

LEFT PIVOT BOLT SOCKET BIT, 14 mm
COMMERCIALY AVAILABLE IN U.S.A.

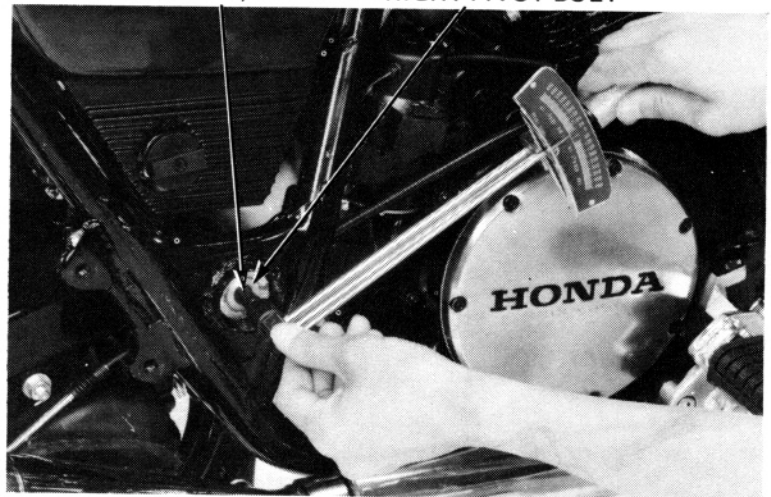


Tighten the right pivot bolt to 20 N·m (2.0 kg·m, 14 ft·lb), loosen it and retighten to the specified torque.

TORQUE: 10–14 N·m
(1.0–1.4 kg·m, 7–10 ft·lb)

Move the swingarm up and down several times.
Retighten the right pivot bolt to the specified torque.

RIGHT PIVOT BOLT SOCKET BIT, 10 mm

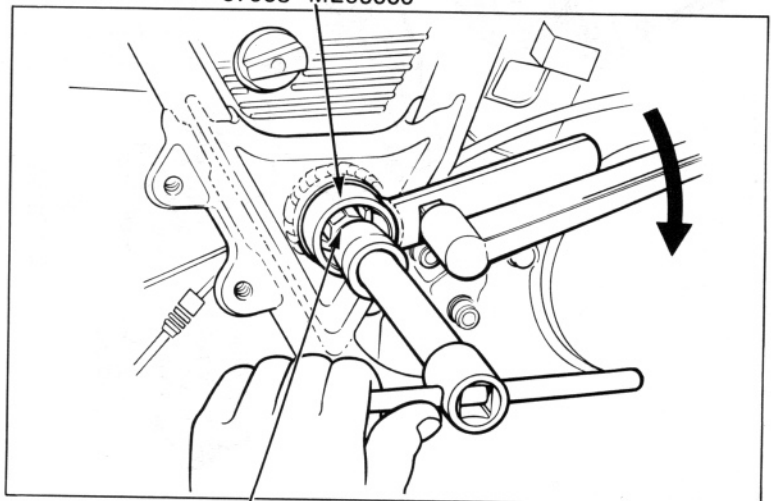


Tighten the lock nut while holding the right pivot bolt.

TORQUE: 100–130 N·m
(10.0–13.0 kg·m, 72–94 ft·lb)

Install the final gear (page 14-17).
Install the rear wheel (page 16-7).
Install the shock absorbers (page 16-12).

SWINGARM LOCK NUT WRENCH
07908-ME90000



SOCKET BIT, 10 mm
COMMERCIALY AVAILABLE IN U.S.A.