

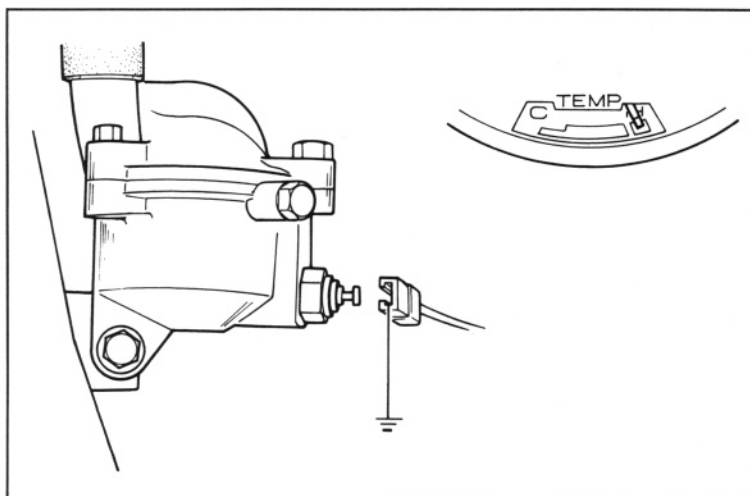
TEMPERATURE GAUGE

Disconnect the wire from the temperature sensor and short it to ground.

Turn the ignition switch to ON. The temperature gauge needle should move all the way to the right.

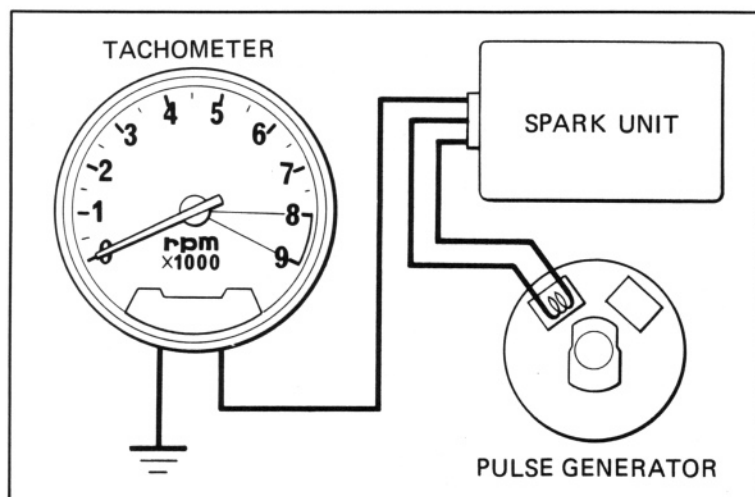
CAUTION

Do not leave the temperature sensor wire grounded for longer than a few seconds or the temperature gauge will be damaged.



TACHOMETER

If the tachometer does not indicate properly, check and repair the No. 1 cylinder ignition system.



If the problem still appears, check continuity between the yellow wire terminal of the wire harness tachometer coupler and the yellow wire terminal of the No. 1 cylinder ignition coil and repair the circuit if necessary.

If there is continuity, replace the tachometer with a new one.

WIRE HARNESS
TACHOMETER COUPLER

NO. 1 IGNITION COIL

