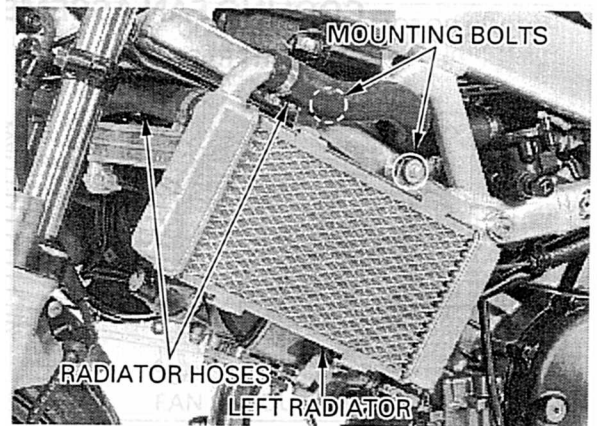


LEFT RADIATOR

Disconnect the upper radiator hose, upper and lower radiator joint hoses.
Remove the two mounting bolts and the radiator from the mounting stay.

Install the left radiator in the reverse order of removal.

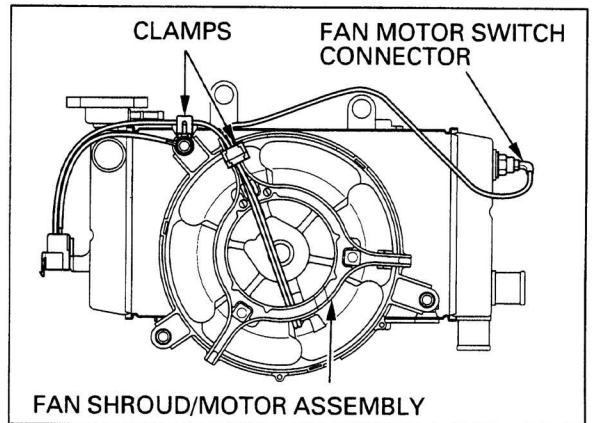
Fill and bleed the cooling system (page 6-5).

**COOLING FAN DISASSEMBLY**

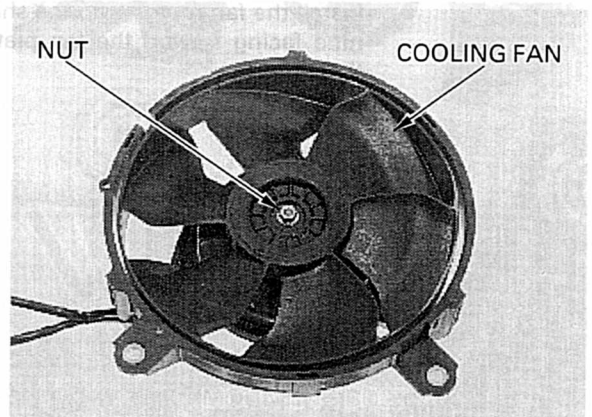
Remove the right radiator (page 6-6).

Disconnect the fan motor switch connector.
Free the fan motor wires from the clamps.

Remove the three bolts, clamp and fan shroud/motor assembly from the radiator.



Remove the nut and cooling fan from the motor.



Remove the three bolts and the fan motor from the shroud.

