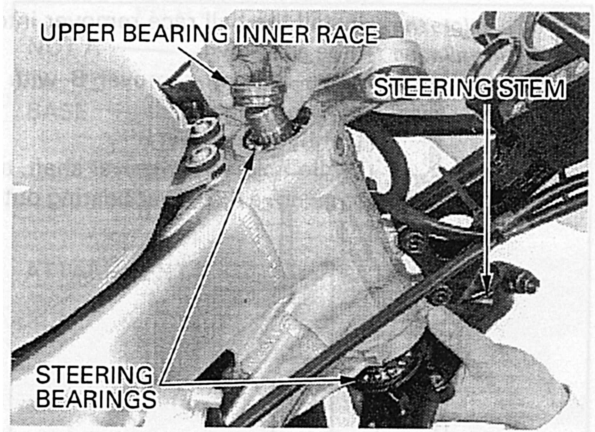


Remove the upper bearing inner race, steering stem, upper and lower steering bearings.



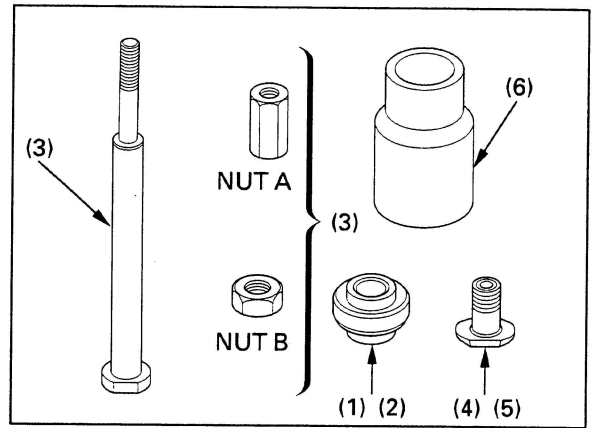
STEERING BEARING REPLACEMENT

Always replace the bearings and races as a set.

Replace the steering bearing outer races using the ball race remover set.

TOOLS:

Ball race remover set	07946-KM90001
- Driver attachment A (1)	07946-KM90100
- Driver attachment B (2)	07946-KM90200
- Driver shaft assembly (3)	07946-KM90300
- Bearing remover A (4)	07946-KM90401
- Bearing remover B (5)	07946-KM90500
- Assembly base (6)	07946-KM90600



Note the installation direction of the assembly base.

Install the ball race remover into the steering head pipe as shown.

Align bearing remover A with the groove in the steering head.

Lightly tighten nut B.

While holding the driver shaft, turn nut A gradually to remove the upper bearing outer race.

