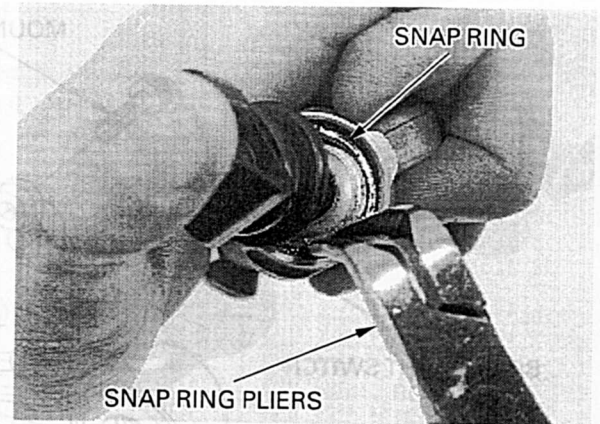


Remove the dust seal from the master cylinder.
Remove the snap ring using the special tool.

TOOL:

Snap ring pliers

07914-3230001

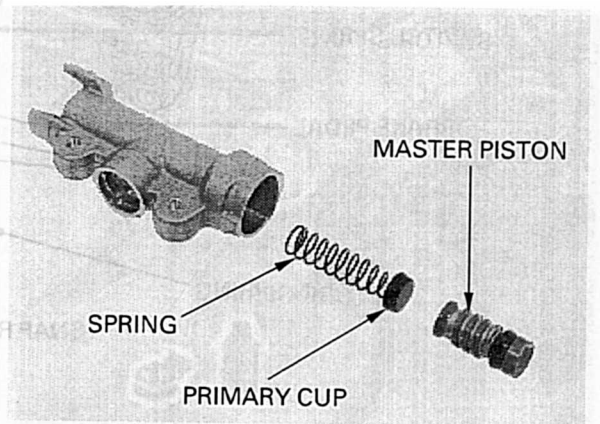


Remove the master piston, primary cup and spring.

Clean the master cylinder, reservoir and master piston in clean brake fluid.

INSPECTION

Check the piston cups for wear, deterioration or damage.
Check the spring for damage.



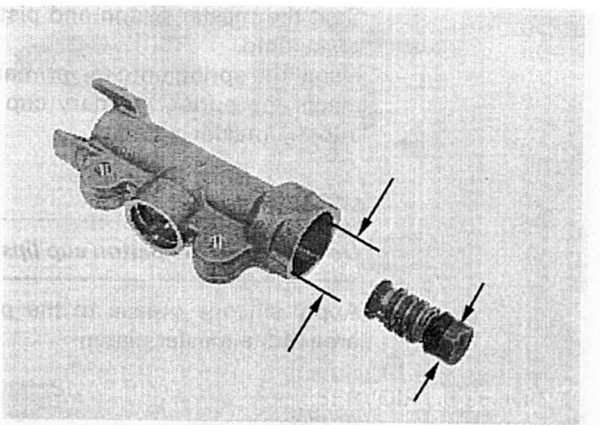
Check the master cylinder and piston for scoring or damage.

Measure the master cylinder I. D.

SERVICE LIMIT: 14.055 mm (0.5533 in)

Measure the master piston O. D.

SERVICE LIMIT: 13.945 mm (0.5490 in)



ASSEMBLY

