

SEAT

REMOVAL/INSTALLATION

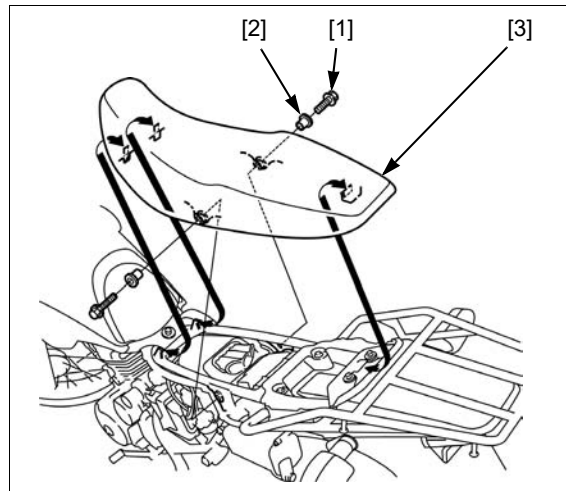
Remove the side cover (page 2-2).

Remove the bolts [1] and collars [2] from both sides of the seat [3].

Remove the seat rearward.

Align the hooks of the frame with the holes of the seat and install the seat.

Install the bolts and collars on both sides, then tighten the bolts.



SIDE COVER

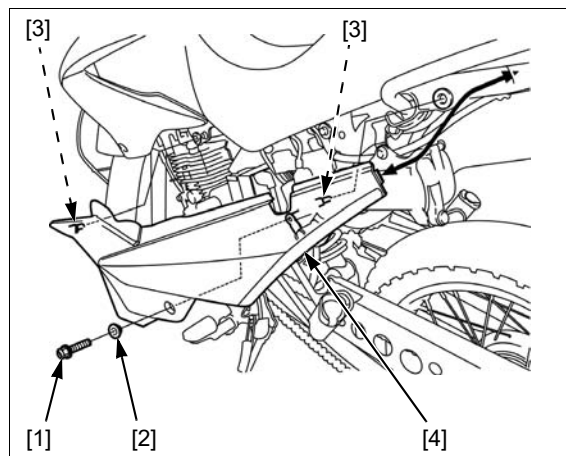
REMOVAL/INSTALLATION

Be careful not to damage the bosses on the side covers.

Remove the bolt [1] and collar [2].

Remove the bosses [3] of the side cover [4] from the grommets of the frame, then remove the side cover.

Installation is in the reverse order of removal.



REAR CARRIER

REMOVAL/INSTALLATION

Remove the seat (page 2-2).

Remove the following:

- Bolts [1]
- Collars [2]
- Mount rubbers [3]
- Rear carrier [4]

Installation is in the reverse order of removal.

