

## ENGINE OIL

### OIL LEVEL INSPECTION

Clean around the oil filler cap/dipstick and nearby surface.

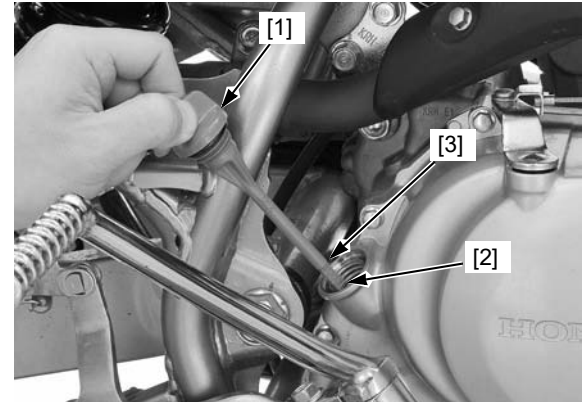
Start the engine and let it idle for 3 – 5 minutes.  
Stop the engine and wait 2 – 3 minutes.

Hold the motorcycle in an upright position.

Remove the oil filler cap/dipstick [1] and wipe it clean.  
Reinstall the oil filler cap/dipstick, but do not screw it.

Remove the oil filler cap/dipstick and check the oil level.

If the level is below or near the lower mark [2] on the dipstick, fill the crankcase with recommended oil to the upper level [3].



### RECOMMENDED ENGINE OIL:

**Honda "4-stroke motorcycle oil" or an equivalent**  
**API classification: SG or higher**  
**(except oils labeled as energy conserving on the circular API service label)**

**Viscosity: SAE 10W-30**

**JASO T 903 standard: MA**

Check that the O-ring is in good condition, replace it if necessary.

Apply engine oil to the O-ring.

Install the oil filler cap/dipstick.

### ENGINE OIL CHANGE

Warm up the engine.

Stop the engine and remove the oil filler cap/dipstick.

Remove the drain bolt [1] and sealing washer [2] and drain the engine oil completely.

Install a new sealing washer onto the drain bolt.

Install the drain bolt with a new sealing washer and tighten it to the specified torque.

**TORQUE: 30 N·m (3.1 kgf·m, 22 lbf·ft)**

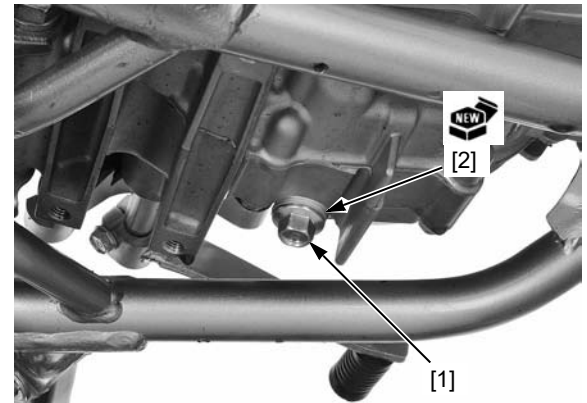
Fill the crankcase with the recommended engine oil.

### ENGINE OIL CAPACITY:

**1.0 liter (1.1 US qt, 0.9 Imp qt) after draining**

**1.2 liters (1.3 US qt, 1.1 Imp qt) after disassembly**

Check the oil level. Make sure there are no oil leaks.



## ENGINE OIL STRAINER SCREEN

Remove the right crankcase cover (page 10-4).

Remove the oil strainer screen [1] out of the crankcase.

Wash the strainer screen thoroughly in non-flammable or high flash point solvent until all accumulated dirt has been removed.

Blow dry it with compressed air to clean completely.

Before installing the strainer, the screen mesh should be examined closely for damage.

Install the strainer screen in the direction as shown.

Install the right crankcase cover (page 10-4).

