

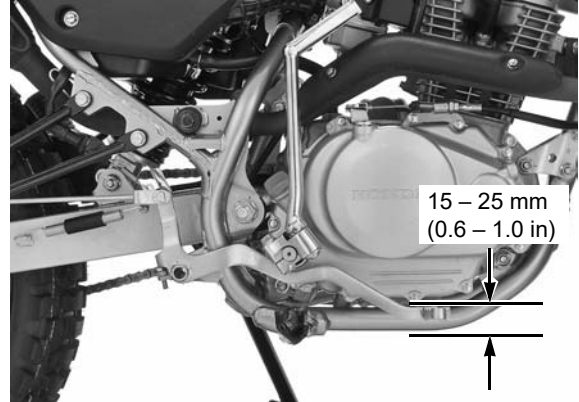
## MAINTENANCE

### BRAKE PEDAL FREEPLAY

*Perform the free play adjustment after adjusting pedal height.*

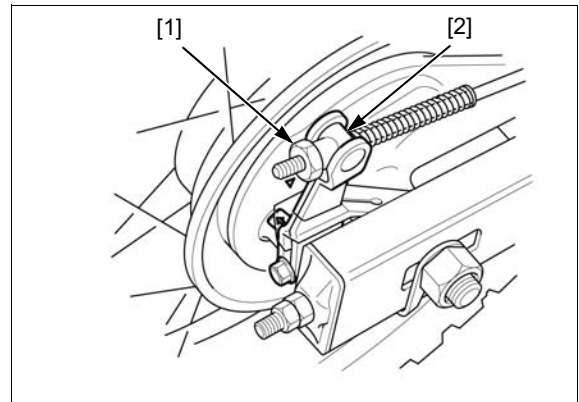
Check the brake pedal free play.

**FREEPLAY: 15 – 25 mm (0.6 – 1.0 in)**



Adjust the freeplay by turning the adjusting nut [1].

Make sure the cutout of the rear brake adjusting nut is seated on the joint pin [2].

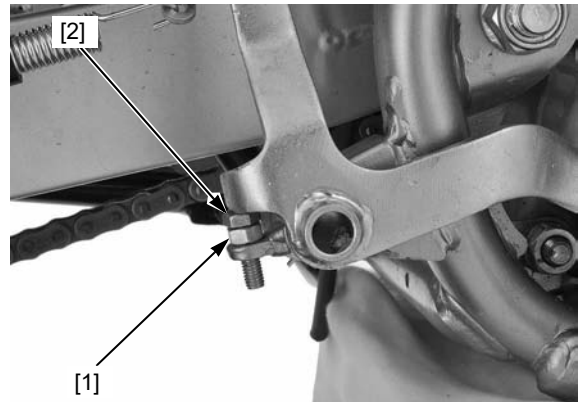


### BRAKE PEDAL HEIGHT

Adjust the brake pedal to the desired height.

Loosen the lock nut [1] and turn the adjusting bolt [2] to obtain the pedal height. After adjustment tighten the lock nut.

Adjust the pedal free play (page 3-14).



### BRAKE LIGHT SWITCH

- Adjust the rear brake light switch after adjusting the brake pedal free play.
- The front brake light switch does not adjusting.

Adjust the rear brake light switch [1] so that the brake light will come on when the brake pedal is pushed down 15 mm (0.6 in), and the brake engagement begins. Hold the switch body and turn the adjusting nut [2]. Do not turn the switch body.

