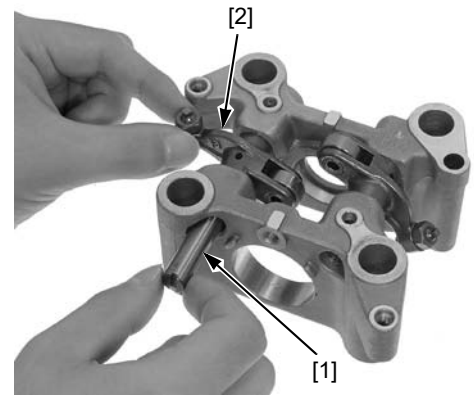
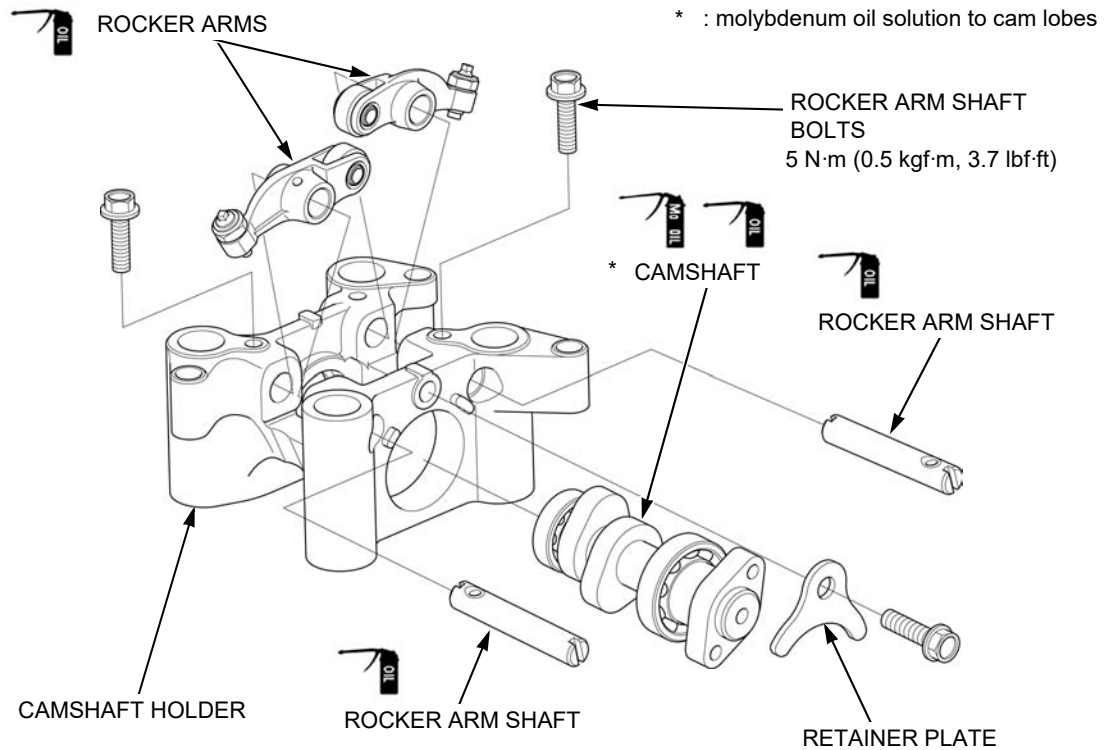


Remove the rocker arm shafts [1] and rocker arms [2] from the holder.



**ASSEMBLY**



Apply engine oil to the rocker arm [1] inner surfaces, rollers and rocker arm shaft [2] entire surfaces.

