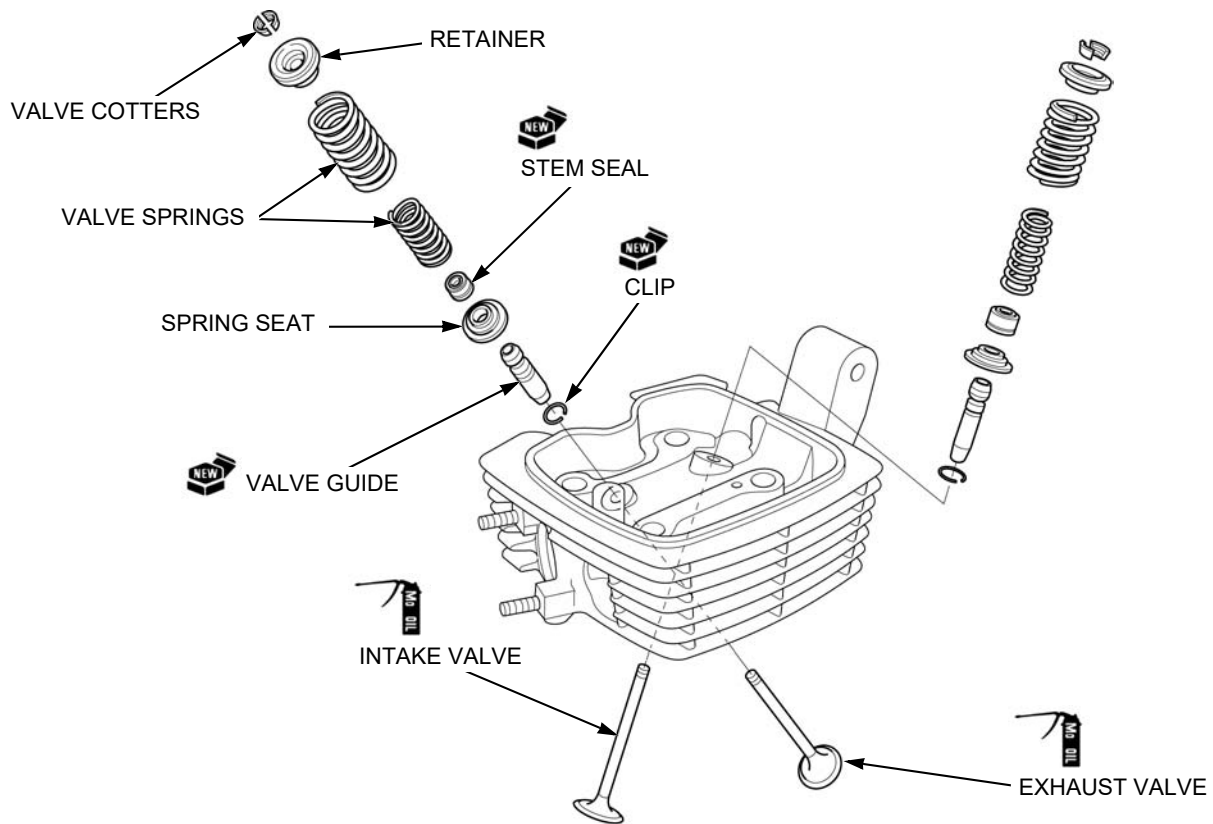


ASSEMBLY



Clean the cylinder head assembly with solvent and blow through all oil passage with compressed air.

Install the spring seats [1] and new valve stem seals [2].

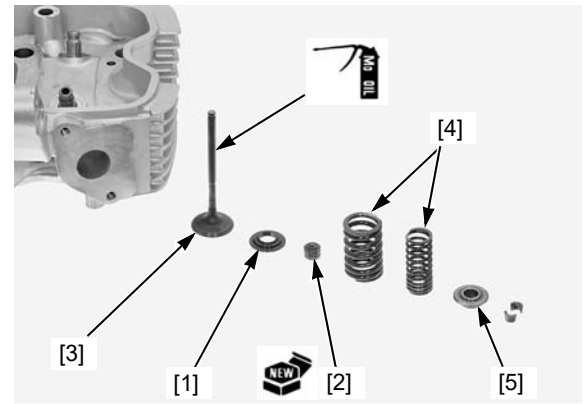
Lubricate each valve stem with molybdenum oil solution.

*To avoid damage to the seal, turn the valve slowly when inserting.*

Insert the intake and exhaust valves [3] into the valve guides.

Install the inner and outer valve springs [4] with the tightly wound coils facing the combustion chamber.

Install the spring retainers [5].



Combustion chamber side