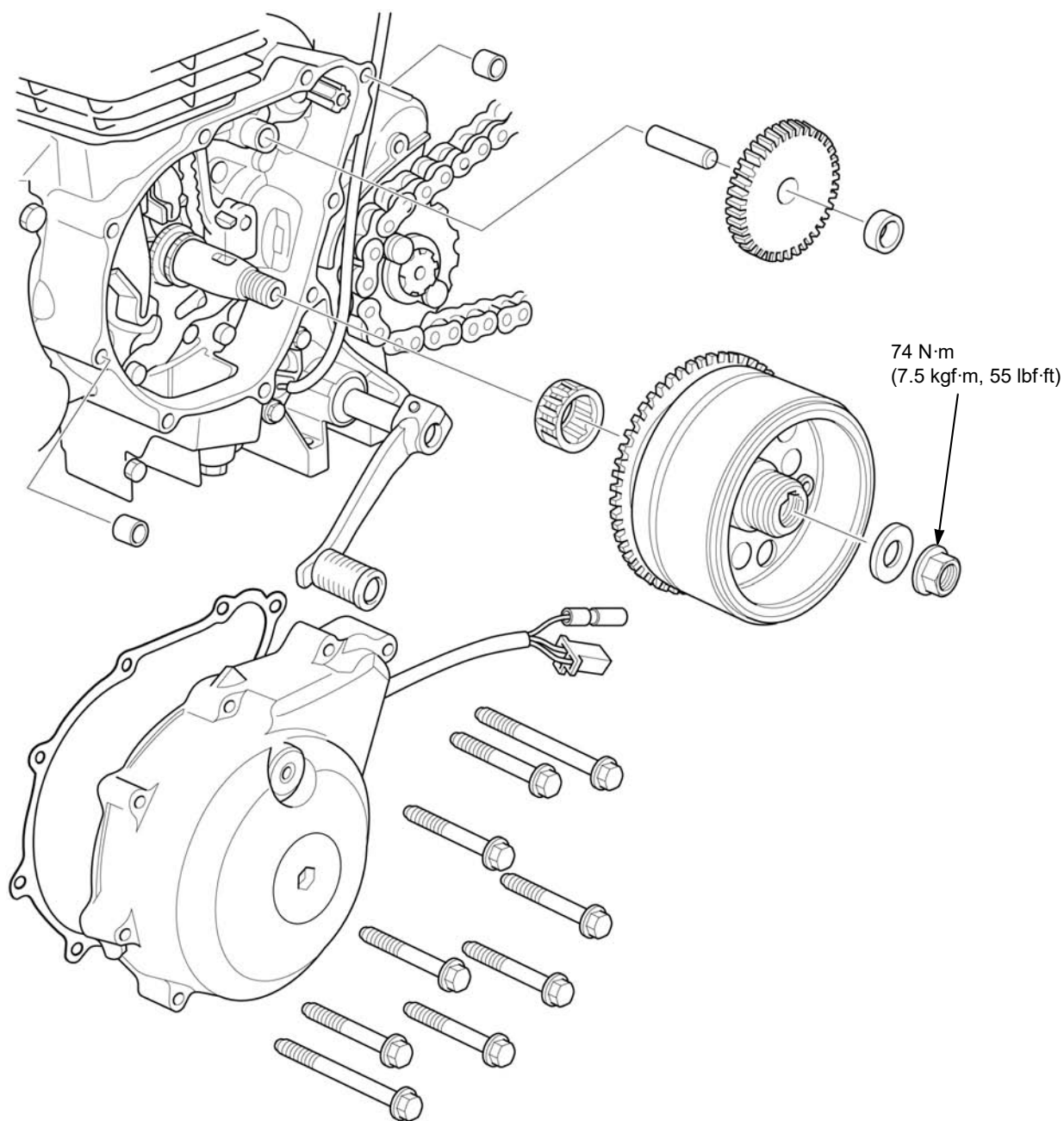


ALTERNATOR/STARTER CLUTCH SYSTEM COMPONENTS



TROUBLESHOOTING

Starter motor turns, but engine does not turn

- Faulty starter clutch
- Damaged starter motor pinion gear, starter reduction gear or shaft