

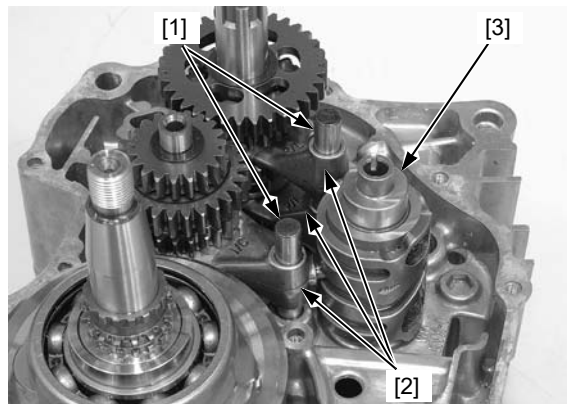
TRANSMISSION

DISASSEMBLY

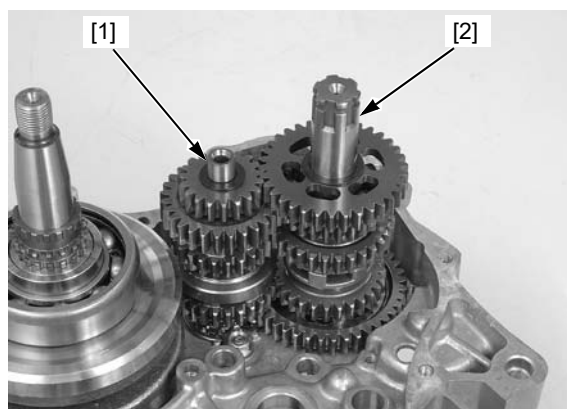
Separate the crankcase halves (page 12-4).

Remove the shift fork shafts [1].

Remove the shift forks [2] and shift drum [3].



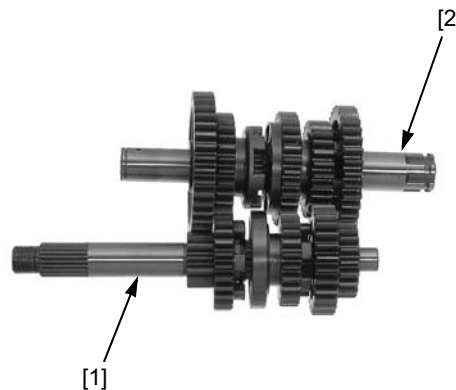
Remove the mainshaft [1] and countershaft [2] as an assembly.



Disassemble the mainshaft [1] and countershaft [2].

Keep track of the disassembled parts (gears, bushings, washers, and snap rings) by stacking them on a tool or slipping them onto a piece of wire.

Clean disassembled parts in solvent thoroughly.



ASSEMBLY

Apply molybdenum oil solution to the gear and bushing sliding surfaces.

Assemble all parts into their original positions.

- Check the gears for freedom of movement or rotation on the shaft.
- Do not reuse worn snap ring which could easily spin in the groove.
- Always install the thrust washers and snap ring with the chamfered (rolled) edge facing away from the thrust load.
- Install the snap ring [1] so its ends align with the grooves in the splines.
- Make sure the snap ring is fully seated in the shaft groove after installing it.

