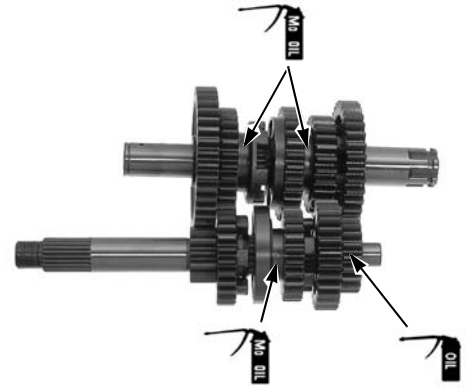


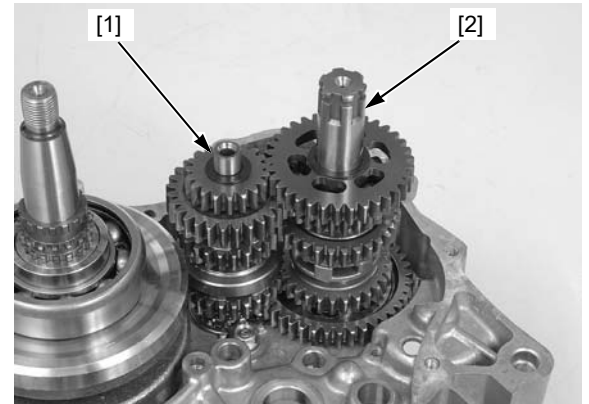
CRANKSHAFT/TRANSMISSION/KICKSTARTER

Apply molybdenum oil solution to the gear shifter grooves.

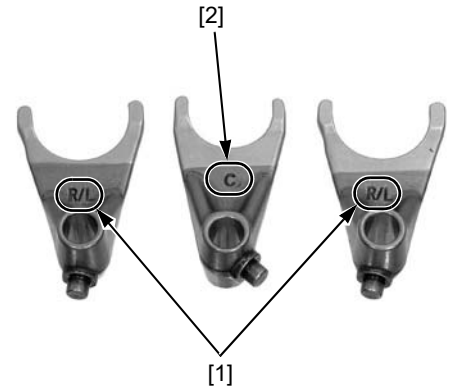
Apply clean engine oil to the gear teeth and engage the mainshaft and countershaft gears.



Install the mainshaft [1] and countershaft [2] assemblies as a set into the left crankcase.



Each shift fork has an identification marks; "R/L" marks [1] for right and left shift forks, and "C" mark [2] for center shift fork.



Install the shift forks [1] into the shifter gear grooves with the marks facing up (left crankcase side). Apply engine oil to the shift drum journals and guide grooves in the and install the shift drum [2]. Install the shift fork guide pins into the shift drum guide grooves.

