

CRANKSHAFT/TRANSMISSION/KICKSTARTER

Lubricate a new crankcase bearing [1] with molybdenum oil solution.

Press the crankcase bearing into the crankcase using the special tools.

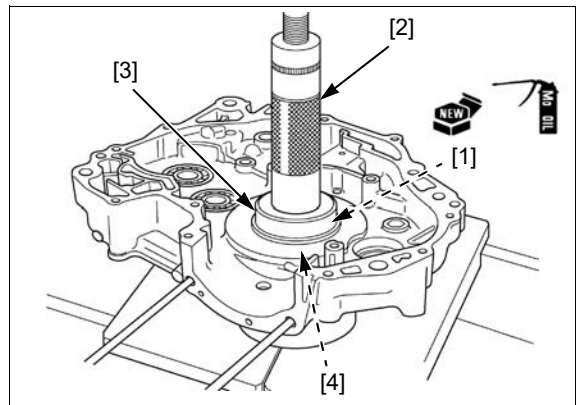
TOOLS:

[2] Driver 07749-0010000

[3] Attachment, 52 x 55 mm 07746-0010400

[4] Pilot, 30 mm 07746-0040700

Install a new crankcase bearing inner race.

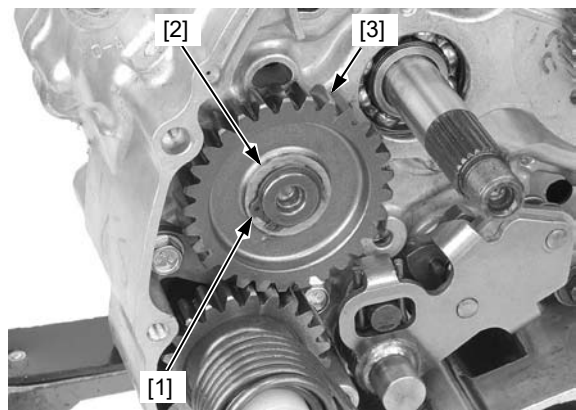


KICKSTARTER IDLE GEAR

REMOVAL

Remove the clutch assembly (page 10-7).

Remove the snap ring [1], washer [2] and kickstarter idle gear [3].

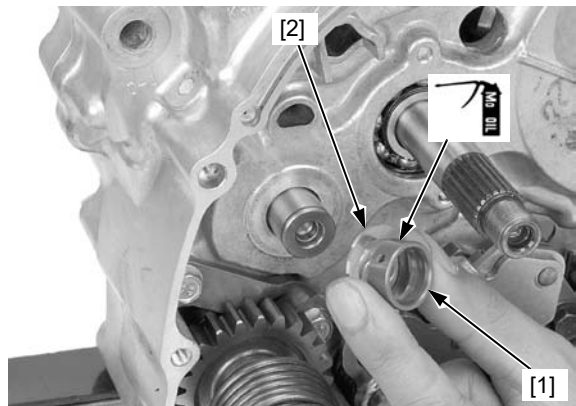


Remove the bushing [1] and washer [2].

INSTALLATION

Apply molybdenum oil solution to the bushing.

Install the washer and bushing.



Apply engine oil to the kickstarter idle gear teeth.

Install the idle gear [1], washer [2] and snap ring [3].

Install the clutch assembly (page 10-8).

