

CRANKSHAFT/TRANSMISSION/KICKSTARTER

Remove the following:

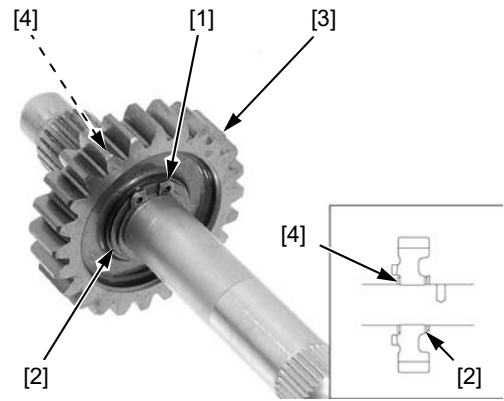
- Snap ring [1]
- Washer A [2]
- Kickstarter drive gear [3]
- Washer B [4]

ASSEMBLY

Install the following:

- Washer B
- Kickstarter drive gear
- Washer A
- Snap ring

Install the ratchet gear [1].



Hook the return spring [1] to the hole of the spindle.

Install the collar [2] to the return spring, aligning the cut-out of the collar with the spring.

