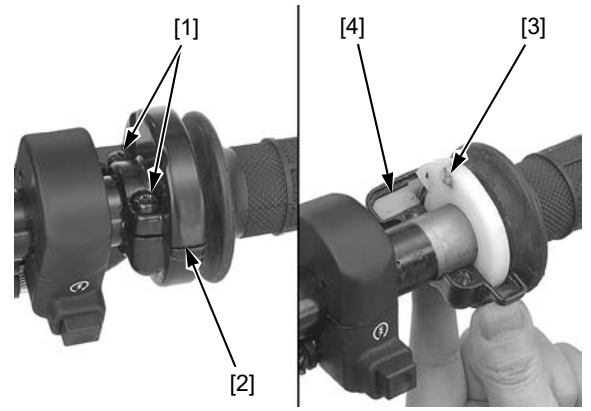
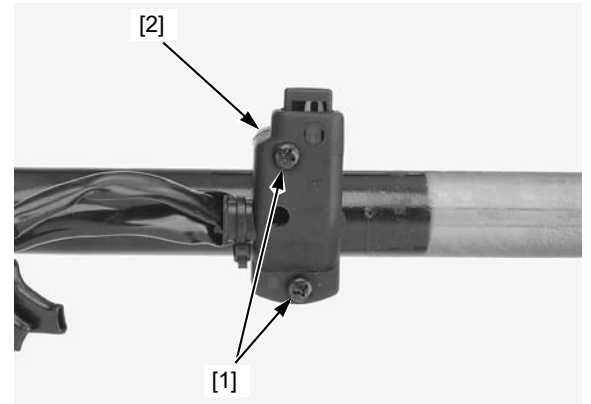


FRONT WHEEL/BRAKE/SUSPENSION/STEERING

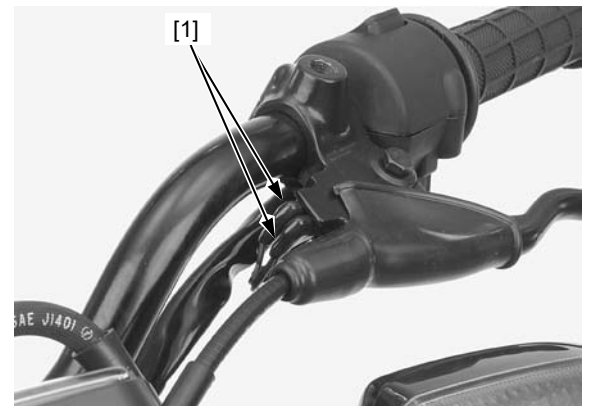
Remove the screws [1] and throttle housing cover [2].
Disconnect the throttle cable end [3] from the throttle pipe and remove the throttle housing.
Remove the throttle cable guide [4].
Remove the throttle grip from the handlebar.



Remove the right handlebar switch housing screws [1].
Remove the right handlebar switch housing [2] from the handlebar.



Disconnect the clutch switch connectors [1] from the clutch switch.



Remove the clutch lever holder screws [1], bracket [2] and holder [3].

