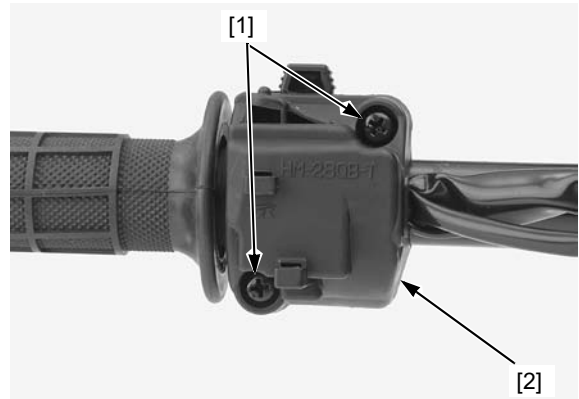
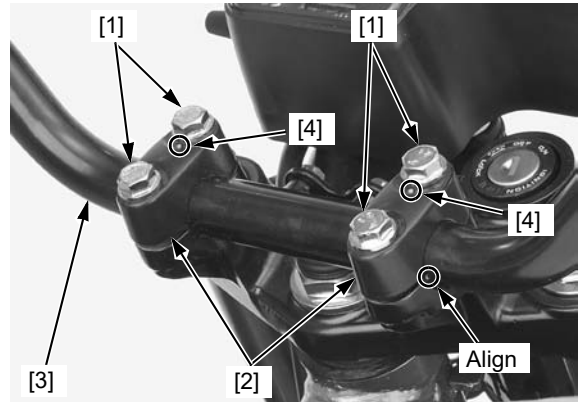


## FRONT WHEEL/BRAKE/SUSPENSION/STEERING

Remove the left handlebar switch housing screws [1].  
Remove the left handlebar switch housing [2] from the handlebar.



Remove the handlebar holder bolts [1] and holders [2].  
Remove the handlebar [3].



### INSTALLATION

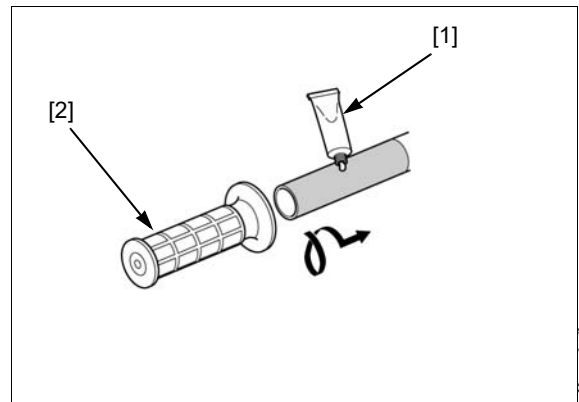
Place the handlebar onto the lower holders by aligning the punch mark on the handlebar with the mating surface of the lower holder.

Place the upper holders with the punch marks [4] facing forward.

Install the handlebar holder bolts and tighten the front bolts first, then the rear bolts.

**TORQUE: 26 N·m (2.7 kgf·m, 19 lbf·ft)**

*Allow the adhesive to dry for an hour before using.* Apply Honda Bond A [1] or an equivalent to the inside of the grip [2] and the clean surfaces of the left handlebar and throttle grip.  
Wait 3-5 minutes to install the grip.  
Rotate the grip to spread the adhesive evenly.



Install the left handlebar switch housing [1] onto the handlebar by aligning the locating pin [2] with the hole [3] in the handlebar.

