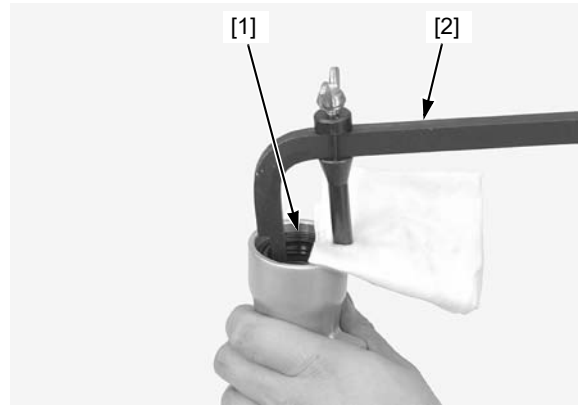


## FRONT WHEEL/BRAKE/SUSPENSION/STEERING

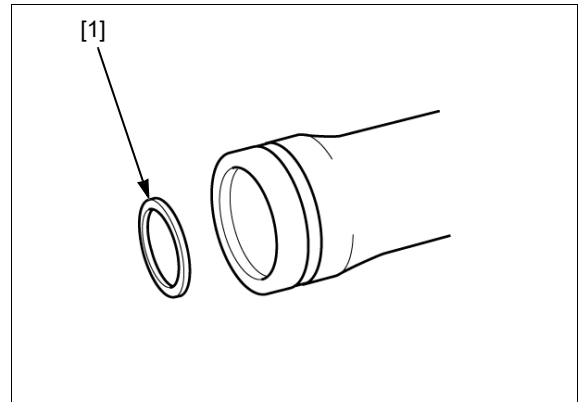
Remove the oil seal [1] by using a commercially available oil seal remover.

**TOOL:**

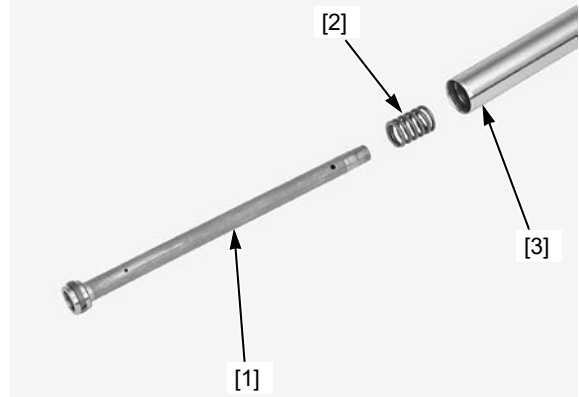
[2] Oil seal remover                      07748-0010001



Remove the back-up ring [1] from the fork slider.



Remove the fork piston [1] and rebound spring [2] from the fork pipe [3].



### INSPECTION

#### FORK SPRING

Measure the fork spring free length on a flat surface.

**SERVICE LIMIT:**

XR125LK/LEK: 582.6 mm (22.94 in)

XL125LK: 593.4 mm (23.36 in)

