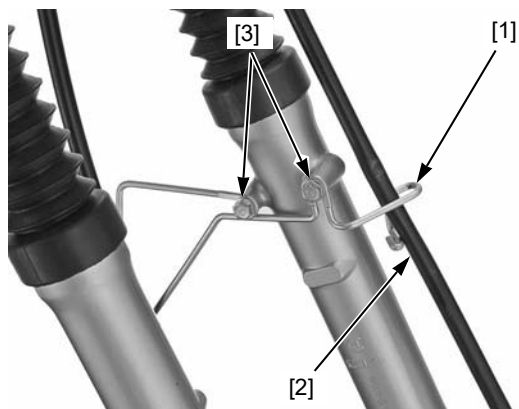


FRONT WHEEL/BRAKE/SUSPENSION/STEERING

XL125LK: Install the brake cable guide [1] and route the brake cable [2].

Install and tighten the bolts [3] securely.

Install the front wheel (page 14-11).



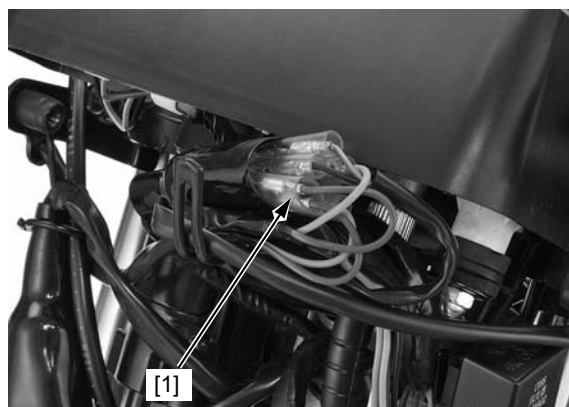
STEERING STEM

REMOVAL

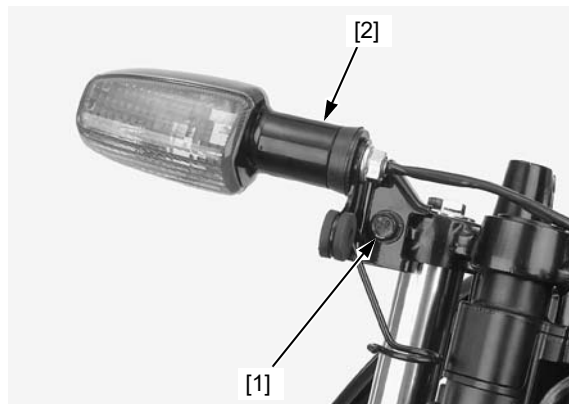
Remove the following:

- Front wheel (page 14-9)
- Front visor (page 2-4)
- Combination meter (page 18-6)
- Handlebar (page 14-4)

Disconnect the turn signal light (Green, Orange, Light blue) wire connectors [1].



Remove the top bridge pinch bolts [1] and turn signal lights [2].



Remove the steering stem cap [1], stem nut [2] and washer [3].

Remove the top bridge [4].

Remove the forks (page 14-13).

