

FRONT WHEEL/BRAKE/SUSPENSION/STEERING

Install the stem nut [1] onto the stem to prevent the threads from being damaged when removing the lower bearing inner race from the stem.

Remove the lower bearing inner race [2] with a chisel or an equivalent tool without damaging the stem.

Remove the dust seal [3].



Do not damage the steering stem during installation.

Apply grease to lip of a new dust seal [1].

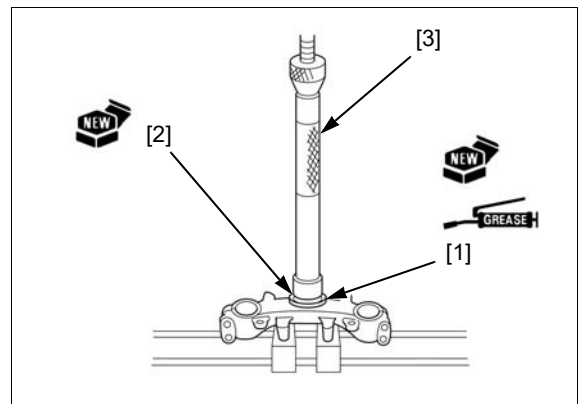
Install the dust seal.

Install the new lower bearing inner race [2] with the following tool and a hydraulic press.

TOOL:

[3] Steering stem driver

07946-4300101



Drive the new upper bearing outer race [1] into the head pipe with the following tools.

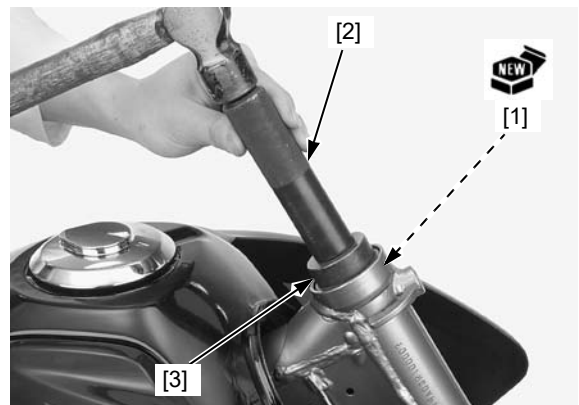
TOOLS:

[2] Driver

07749-0010000

[3] Attachment, 42 x 47 mm

07746-0010300



Drive the new lower bearing outer race [1] into the head pipe with the following tools.

TOOLS:

[2] Driver

07749-0010000

[3] Attachment, 42 x 47 mm

07746-0010300

