

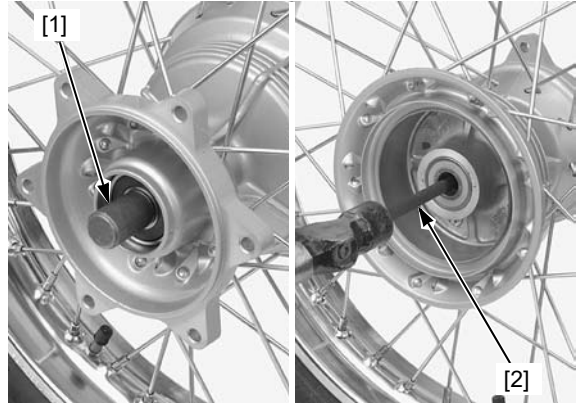
REAR WHEEL/BRAKE/SUSPENSION

WHEEL BEARING REPLACEMENT

Install the remover head into the bearing.
From the opposite side of the wheel, install the bearing remover shaft and drive the bearing out of the wheel hub.
Remove the distance collar and drive out the other bearing.

TOOLS:

[1] Bearing remover head, 17 mm 07746-0050500
[2] Bearing remover shaft 07746-0050100



Drive in a new right side (brake drum side) bearing squarely with the sealed side facing up until it is fully seated.

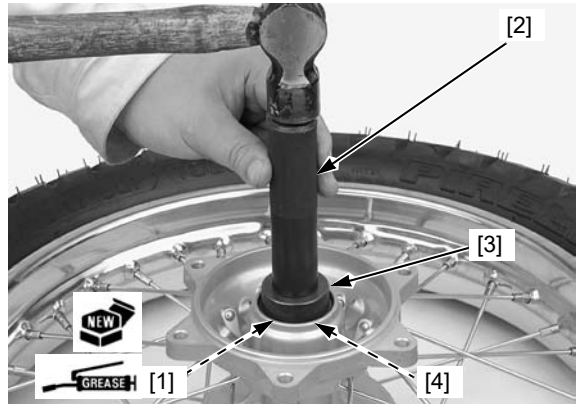
TOOLS:

Driver 07749-0010000
Attachment, 37 x 40 mm 07746-0010200
Pilot, 17 mm 07746-0040400

Coat a distance collar with grease and install it.
Pack new bearing cavities with grease.
Drive in a new left side (driven sprocket side) bearing [1] with the sealed side facing up until it is fully seated.

TOOLS:

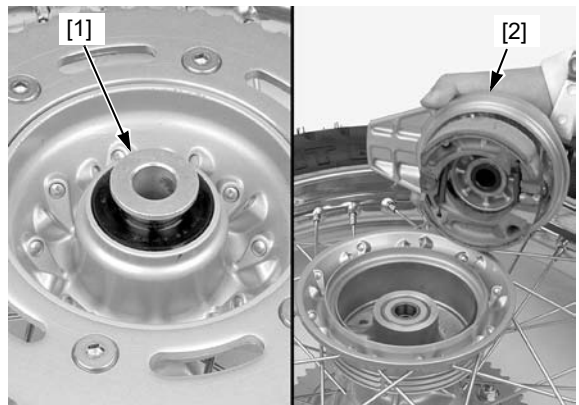
[2] Driver 07749-0010000
[3] Attachment, 42 x 47 mm 07746-0010300
[4] Pilot, 17 mm 07746-0040400



INSTALLATION

Install the side collar [1].
Install the brake panel [2] into the wheel hub.

Do not get grease on the brake drum and shoe linings.



Place the rear wheel in the swingarm by aligning the brake panel groove with the swingarm boss.

