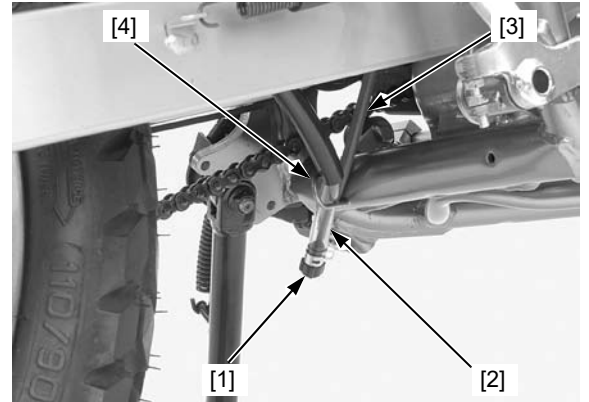


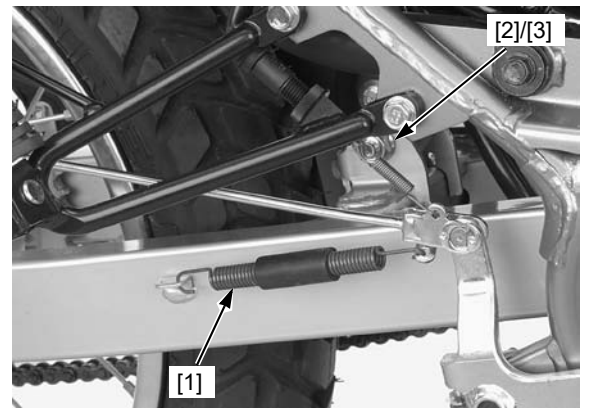
SWINGARM

REMOVAL

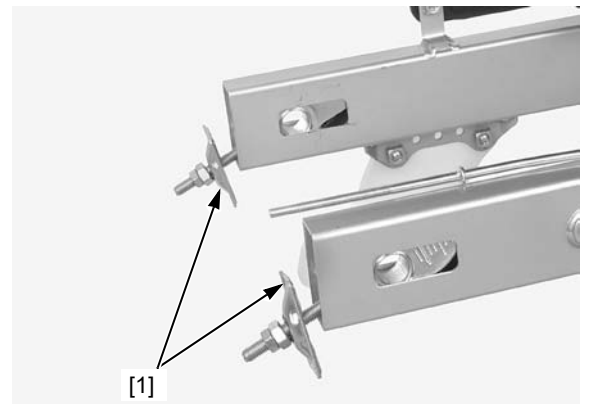
Remove the drain plug [1] from the crankcase breather hose [2].
Remove the breather hose and carburetor drain hose [3] from the guide [4].



Remove the rear wheel (page 15-4).
Unhook the rear brake return spring [1].
Remove the shock absorber lower mount bolt [2] and nut [3].



Remove the drive chain adjusters [1].



Remove the drive chain cover bolts [1] and collars [2].
Remove the drive chain cover [3].

