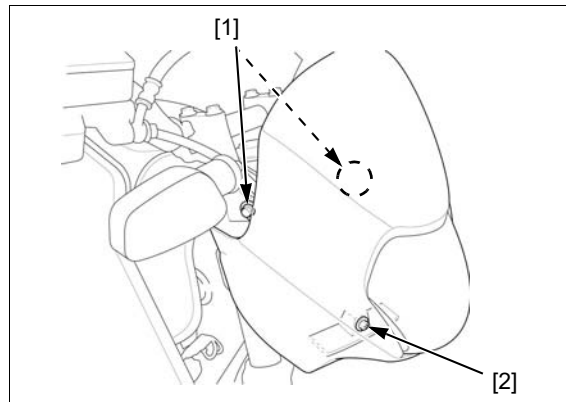


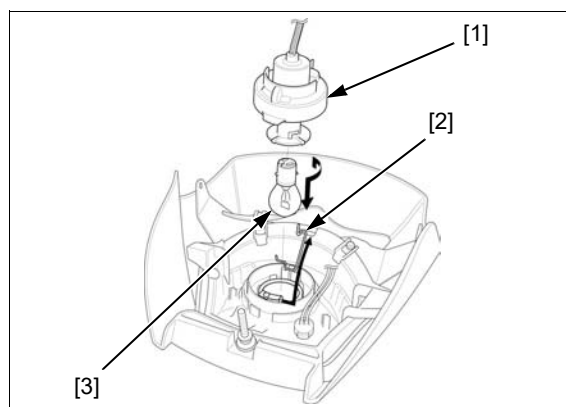
HEADLIGHT/POSITION LIGHT

BULB REPLACEMENT

Remove the two bolts [1] and headlight aim adjusting screw [2].

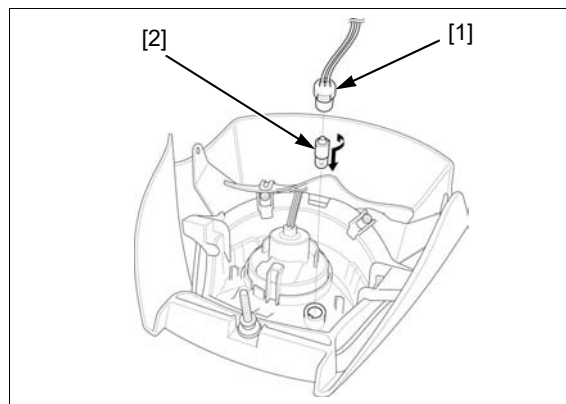


Remove the dust cover [1].
Unhook the bulb retainer [2].
Push the headlight bulb [3] in, turn it counterclockwise and remove it.



Install the headlight bulb in the reverse order of removal.

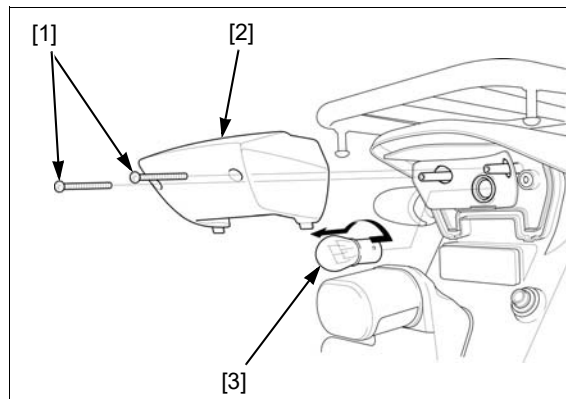
Remove the position light bulb socket [1].
Push the position light bulb [2] in, turn it counterclockwise and remove it.
Install the position light bulb in the reverse order of removal.



BRAKE/TAIL LIGHT

BULB REPLACEMENT

Remove the screws [1] and the brake/tail light lens [2].
Push the bulb [3] in, turn it counterclockwise and remove it.



Install the bulb in the reverse order of removal.