

## LICENSE LIGHT (XR125LK/LEK)

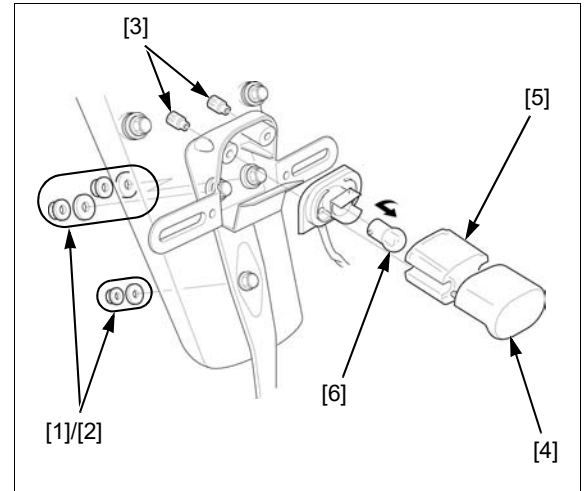
### REMOVAL/BULB REPLACEMENT

Remove the nuts [1], collars [2] and license light assembly.

Remove the license light nuts [3], lens cover [4] and lens [5].

Push the bulb [6] in, turn it counterclockwise and remove it.

Install the bulb in the reverse order of removal.



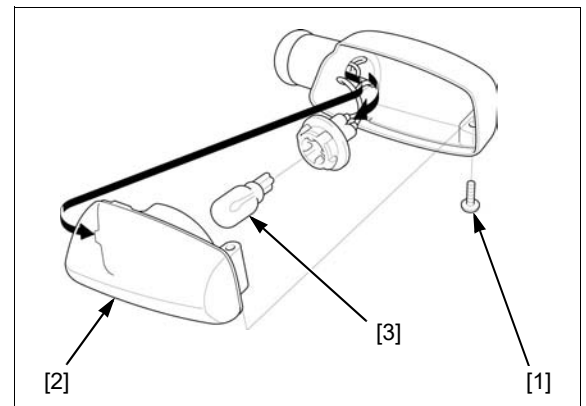
## TURN SIGNAL LIGHTS

### BULB REPLACEMENT (XR125LK/LEK)

Remove the screw [1] and turn the signal light lens [2].

Pull out the bulb [3] without turning.

Install the bulb in the reverse order of removal.



### BULB REPLACEMENT (XL125LK)

Remove the screw [1] and turn the signal light lens [2].

Turn the bulb [3] counterclockwise and remove it.

Install the bulb in the reverse order of removal.

