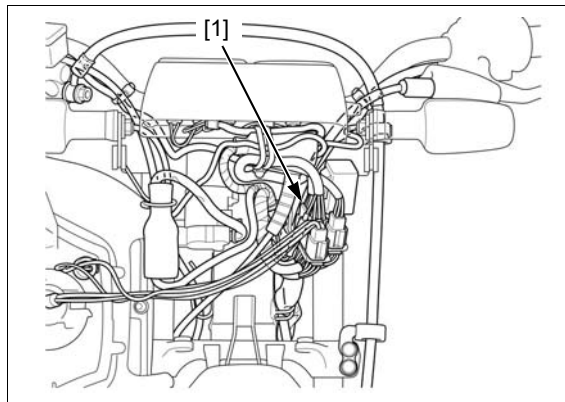


COMBINATION METER

REMOVAL/INSTALLATION

Remove the front visor (page 2-4).

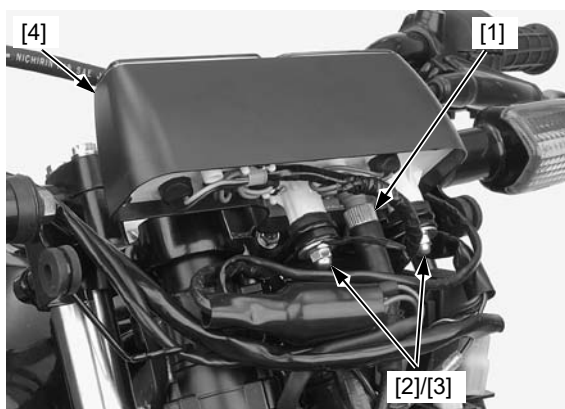
Disconnect the combination meter 9P connector [1].



Disconnect the speedometer cable [1].

Remove the nuts [2], washers [3] and combination meter assembly [4].

Installation is in the reverse order of removal.



DISASSEMBLY/ASSEMBLY

Disassemble and assemble the combination meter as following illustration.

