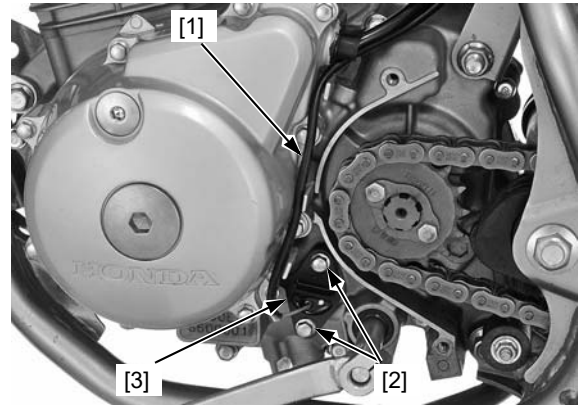


LIGHTS/METER/SWITCHES

Release the neutral switch wire [1] from the ribs on the left crankcase cover.

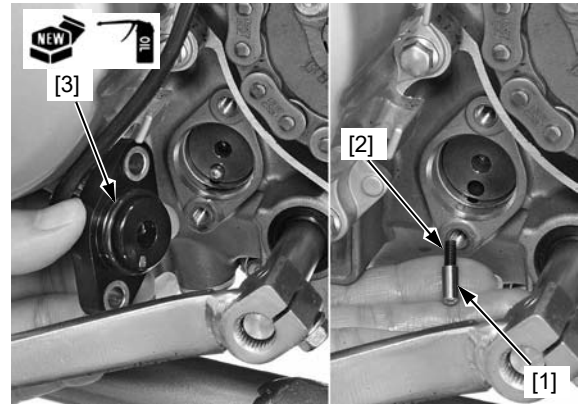
Remove the bolts [2] and neutral switch [3].



Remove the pin [1] and spring [2] from the shift drum.

Installation is in the reverse order of removal.

- Replace the O-ring [3] with new one.
- Apply engine oil to new O-ring.



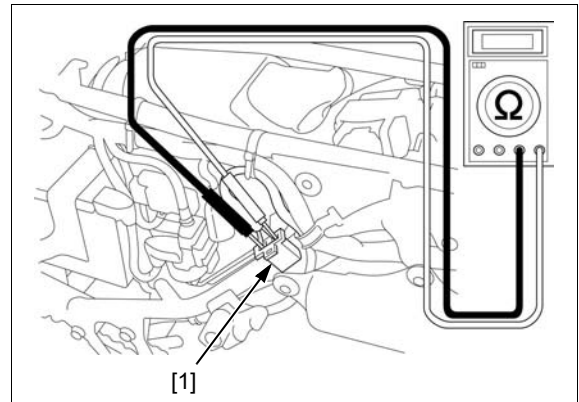
SIDESTAND SWITCH (NZ TYPE)

INSPECTION

Remove the left side cover (page 2-2).

Disconnect the sidestand switch 3P (Green) connector [1] and check for continuity.

There is continuity when the sidestand is raised and there is no continuity when the sidestand is put down.



REMOVAL/INSTALLATION

Remove the left side cover (page 2-2).

Disconnect the sidestand 3P connector.

Remove the bolts [1] and sidestand switch cover [2].

Remove the sidestand switch bolt [3] and sidestand switch [4].

Installation is in the reverse order of removal.

- At sidestand switch installation, align the pin on the switch with the hole in the sidestand.
- At sidestand switch installation, align the groove on the switch with the pin on the sidestand bracket.

