

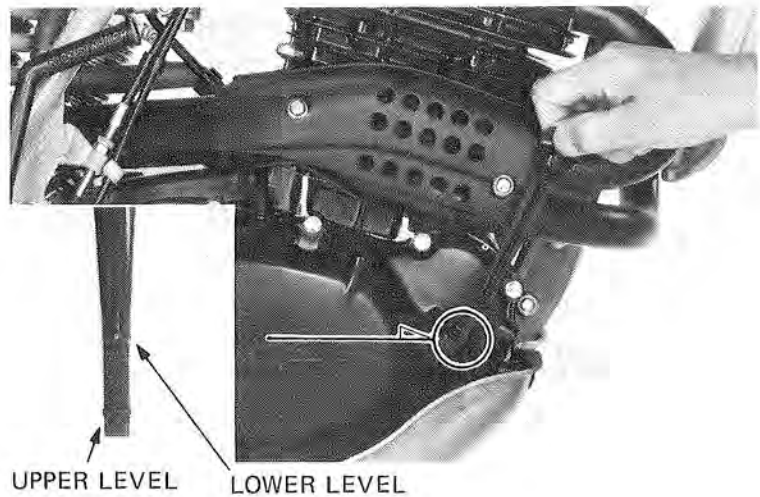


LUBRICATION

ENGINE OIL LEVEL CHECK

Support the motorcycle upright on level ground. Check the oil level with the dipstick. Do not screw in the cap when making this check.

If the oil level is below the lower level mark on the dipstick, fill to the upper level mark with the recommended oil.



ENGINE OIL CHANGE

NOTE

Change engine oil with the engine warm and the motorcycle on its side stand to assure complete and rapid draining.

Remove the oil filler cap and drain plug. After the oil has drained, check that the drain plug sealing washer is in good condition, and install the plug.

TORQUE: 20–30 N·m (2.0–3.0 kg·m, 14–21 ft·lb)

NOTE

Perform the oil filter screen and balancer chain maintenance if required, before filling the crankcase.

Fill the crankcase with 1.7 liters (1.8 US qt, 1mp qt) of the recommended oil.

Install the oil filler cap/dipstick. Start the engine and let it idle for 2–3 minutes.

Stop the engine and check that the oil level is at the upper level mark with the motorcycle upright. Check that there are no oil leaks.

