

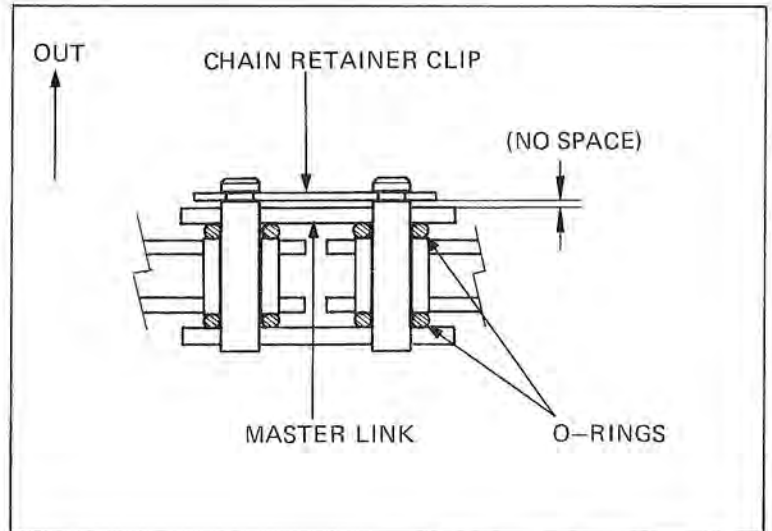


INSTALLATION

Install the drive chain.
 Install the master link with O-rings and chain retaining clip.
 Install the drive sprocket cover.
 Adjust the drive chain.

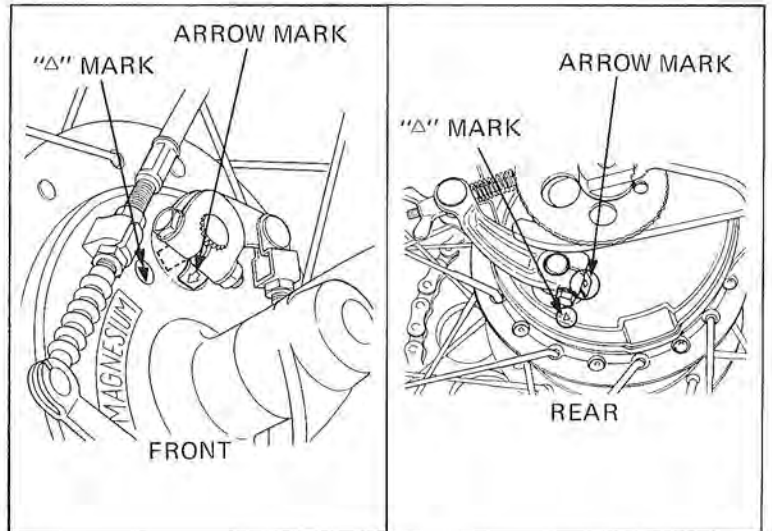
CAUTION:

*Do not assemble the drive chain without the four O-rings.
 Be sure that there is no space between the master link and chain retaining clip.*



BRAKE SHOE WEAR

Replace the brake shoes if the arrow on the indicator plate aligns with the "△" mark on the brake panel when the brake is applied.



FRONT BRAKE

Measure the front brake lever free play at the tip of the brake lever.

FREE PLAY: 25-30 mm (1-1/4 in)

