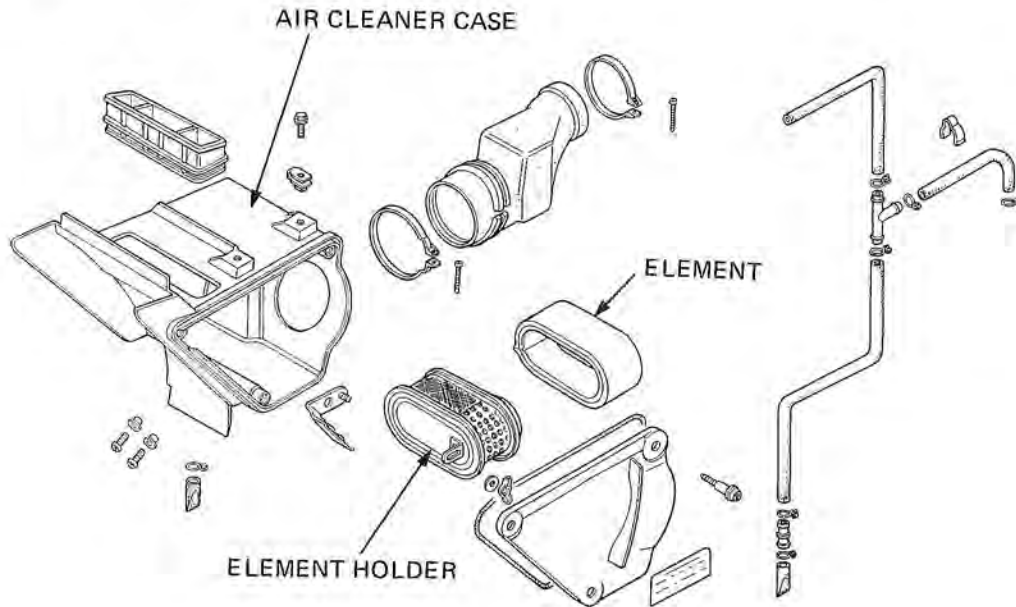




AIR CLEANER CASE REMOVAL

- Remove the left and right side covers.
- Remove the seat.
- Remove the muffler and exhaust pipe.
- Remove the air cleaner case.



CRANKCASE BREATHER

Route the crankcase breather tube as shown.

