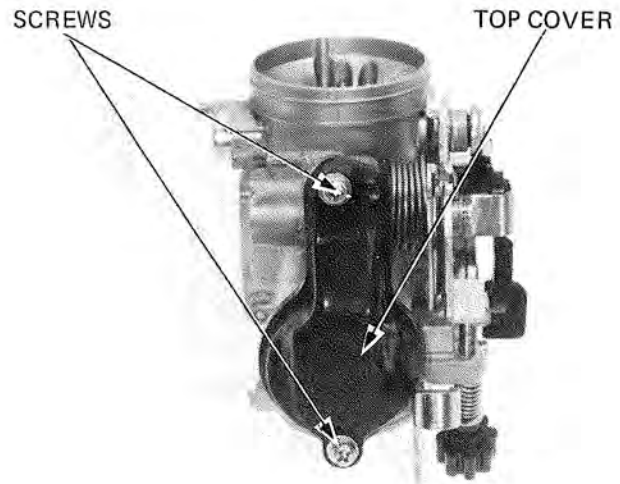


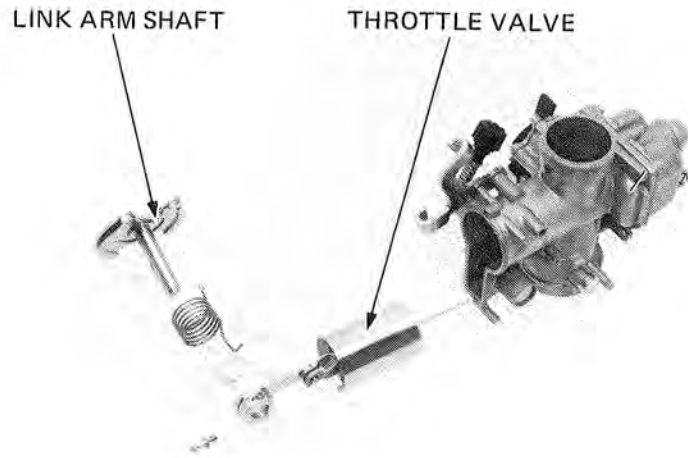


FUEL SYSTEM

Remove the carburetor top cover.



Remove the screw, and remove the link arm shaft, nut, spring and throttle valve.



THROTTLE VALVE DISASSEMBLY

Remove the link arm.
Remove the jet needle and spring.
Check the throttle valve for wear or damage.

