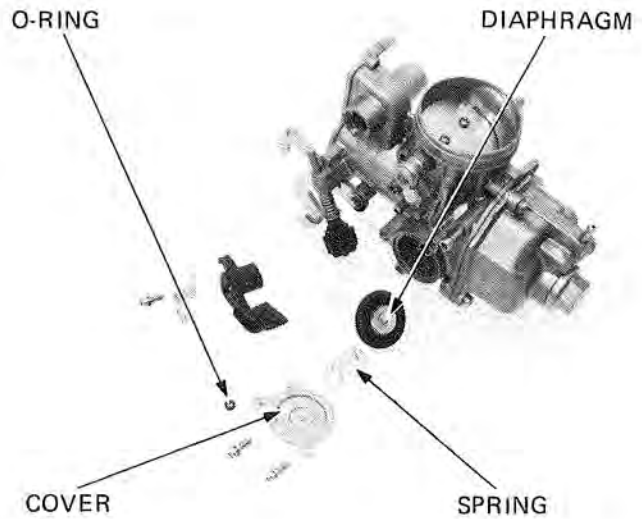




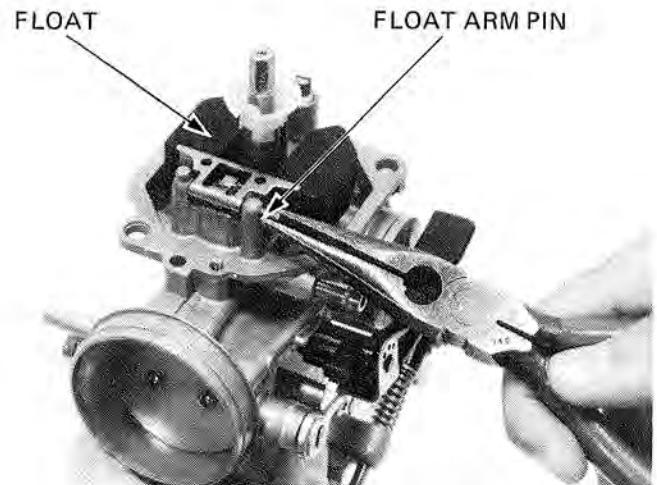
### AIR CUT-OFF VALVE DISASSEMBLY

Remove the air cut-off valve cover and pull out the spring.  
Remove the diaphragm and O-ring.  
Check the diaphragm for tears or pin holes.



### FLOAT, FLOAT VALVE, AND JETS

Remove the float chamber body.  
Pull out the float pin and remove the float.



Remove the float valve, main jet and needle jet holder.  
Remove the needle jet.

#### NOTE

The slow jet cannot be removed since it is a press fit.

Remove the pilot screw.

#### NOTE

Before removing the pilot screw, record the number of rotations until it seats lightly, so it can be returned to its original position.

