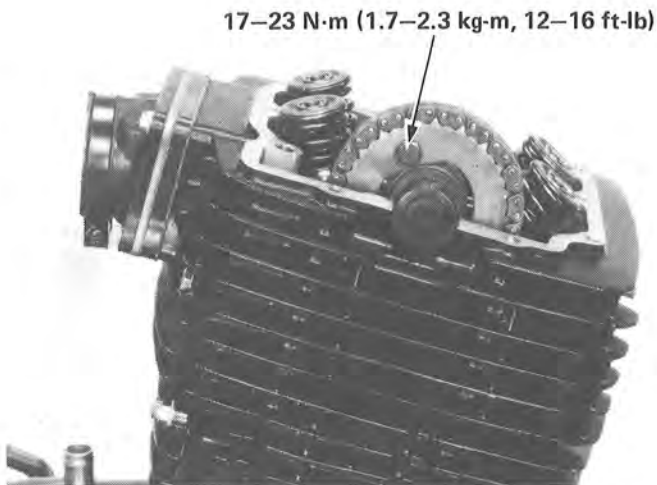




Slide the chain over the cam sprocket without rotating the sprocket.

Tighten the cam sprocket bolts.

TORQUE: 17–23 N·m (1.7–2.3 kg·m, 12–16 ft·lb)



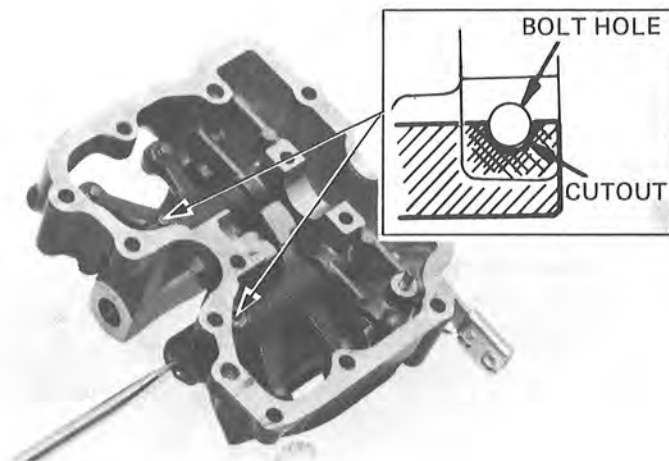
CYLINDER HEAD COVER ASSEMBLY

Install the rocker arms, rocker arm shafts, O-rings and wave washers.

Install the valve lifter lever, spring, and dowel pins.

Align the cut-out in the rocker arm shaft with the bolt hole in the head.

Install the new rocker arm shaft dowel pins.



CYLINDER HEAD COVER INSTALLATION

Apply liquid sealer to the cylinder mating surfaces of the cylinder head.

CAUTION:

Keep sealant away from the camshaft bearing surfaces.

DO NOT APPLY SEALANT TO THESE AREAS

