

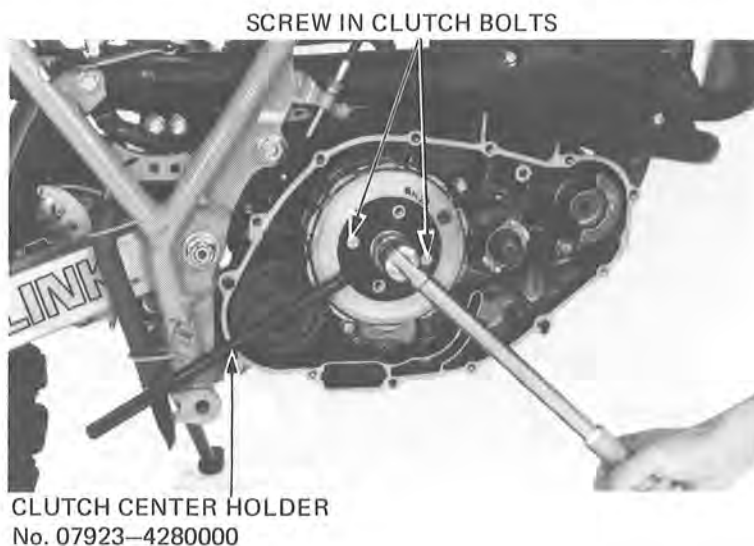


## CLUTCH/OIL PUMP

Attach the clutch center holder to the pressure plate with two clutch bolts.

Remove the clutch nut and lock washer.

Remove the clutch center holder, clutch center, discs, plate, pressure plate, cover, guide, and thrust washer.



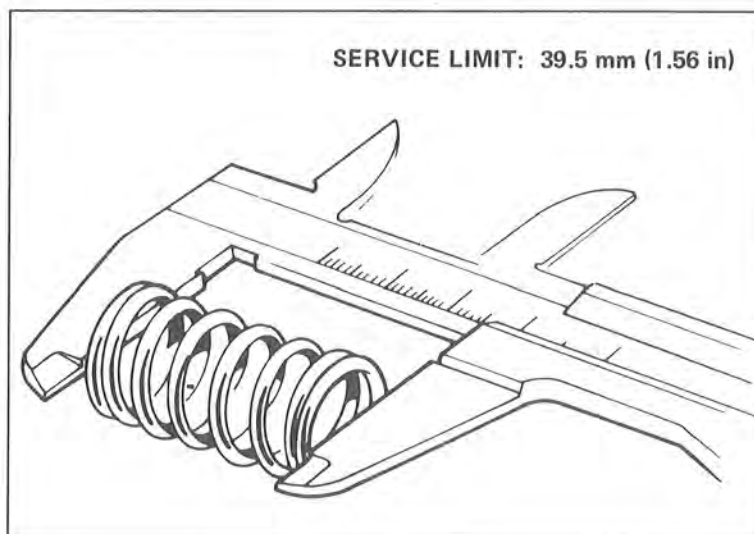
## INSPECTION

### SPRINGS

Measure the free length of each spring.  
Replace if shorter than the service limit.

#### NOTE

Clutch spring should be replaced as a set if one or more is beyond the service limit.



### CLUTCH DISC

Replace the discs if they show signs of scoring or discoloration.

Measure the disc thickness.

#### NOTE

Clutch discs and plates should be replaced as a set if any one is beyond the service limit.

