



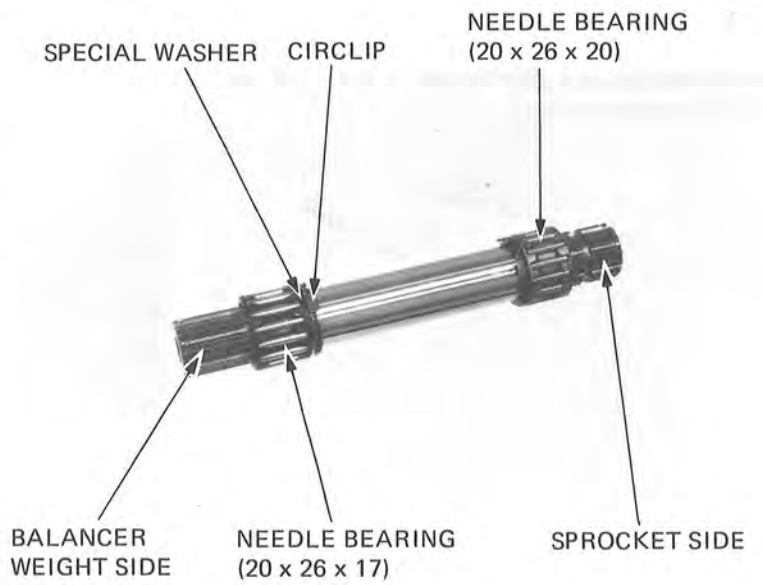
FRONT BALANCER INSTALLATION

Set the circlips in the balancer shaft with the sharp edges toward the outside.

Install the special washers and needle bearings.

NOTE

- Align the washer tabs with the circlips.
- Apply grease to the inner side of the washer to hold it in place during installation.

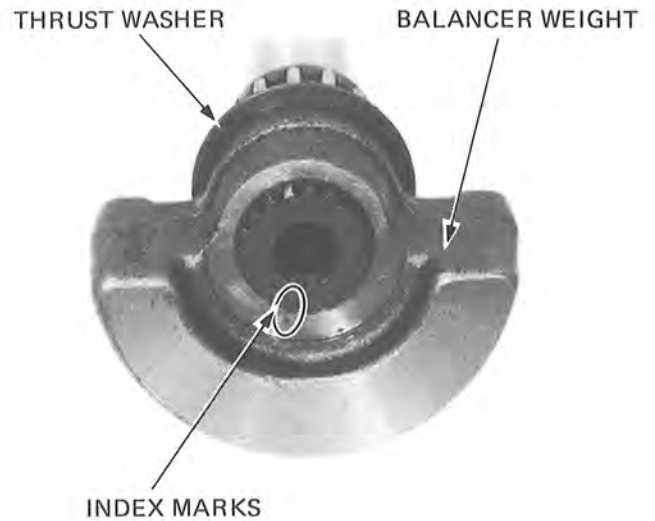


Install the thrust washer and balancer weight.

NOTE

- Align the index mark on the balancer shaft with the index mark on the balancer weight.

Install the circlip with the sharp edge on the outside.



Install the flange on the balancer holder and secure with the circlip.

NOTE

- Note the direction of the flange.
- Install the circlip with the sharp edge towards the outside.

