

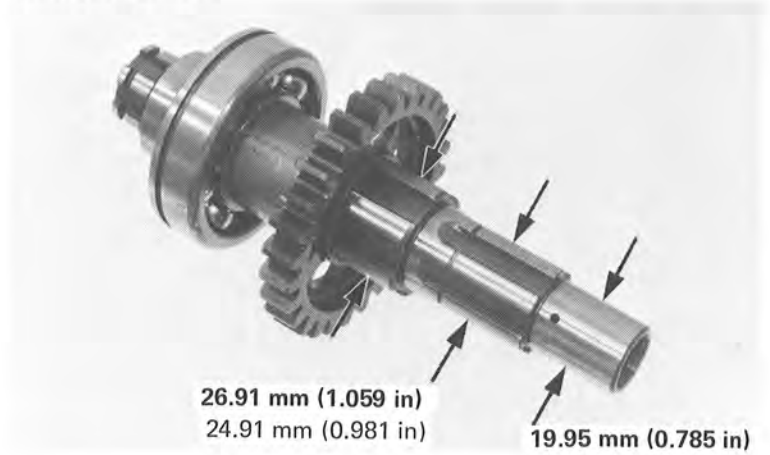


Measure the countershaft O.D.

Calculate the clearance between the gear and countershaft.

SERVICE LIMIT: 0.15 mm (0.006 in)

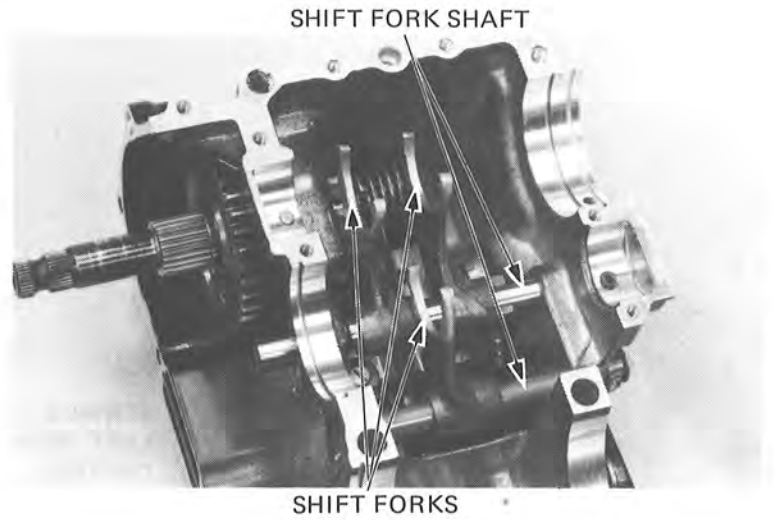
SERVICE LIMITS:



Remove the shift fork shafts and shift forks.
Mark the fork to ensure correct assembly.

NOTE

See page 12-12 for shift fork identification marks.



SHIFT FORK/GUIDE SHAFT INSPECTION

Measure the shift fork I.D.

SERVICE LIMITS:
LEFT, RIGHT: 15.05 mm (0.593 in)
CENTER : 12.05 mm (0.474 in)

