

**INSPECTION
AXLE SHAFT**

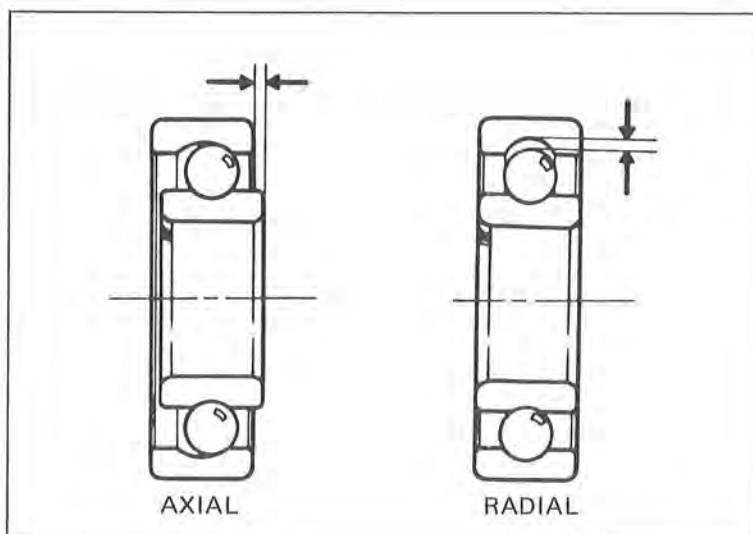
Set the axle on V blocks and measure the runout. The actual runout is 1/2 of the total indicator reading.

SERVICE LIMIT: 0.2 mm (0.01 in)



REAR WHEEL BEARING PLAY

Check the wheel bearing play by placing the wheel in a truing stand and spinning the wheel by hand. Replace the bearings with new ones if they are noisy or have excessive play.



REAR WHEEL RIM RUNOUT

Check the rim runout by placing the wheel on a truing stand. Turn the wheel by hand and measure the runout using a dial indicator.

Tighten any loose spokes.

**TORQUE: 2.5 – 5 N·m (0.25–0.5 kg·m,
1.8–3.5 ft·lb)**

