



### SWING ARM ASSEMBLY

Assemble the drive chain guide roller plates.  
Install them onto the swingarm.  
Tighten the bolts securely.

#### NOTE

Install the guide roller to the rear hole in the chain guide roller plates.



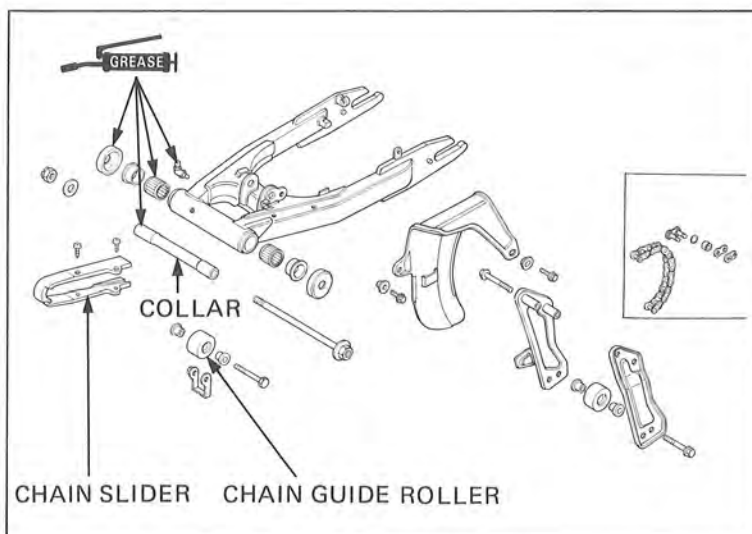
GUIDE ROLLER

Install the chain case and mudguard.  
Install the chain slider.  
Install the shock link to the shock arm.

**TORQUE: 60–75 N·m (6.0–7.0 kg·m, 43–54 ft·lb)**

Install the shock arm onto the swingarm.

**TORQUE: 90–120 N·m (9–12 kg·m, 65–87 ft·lb)**



### SWINGARM INSTALLATION

Install the swingarm and torque the pivot bolt.

**TORQUE: 70–100 N·m  
(7–10 kg·m, 50.6–72.2 ft·lb)**

Install the shock absorber (Page 14-18).  
Connect the rear brake cable.  
Adjust the rear brake pedal free play (Page 3-16).

